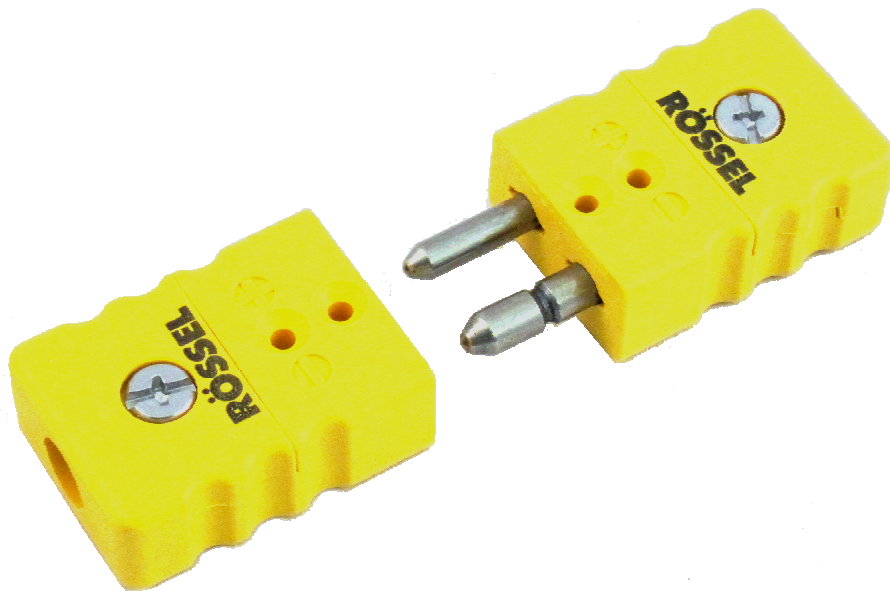


tempco 



Connectors & Accessories

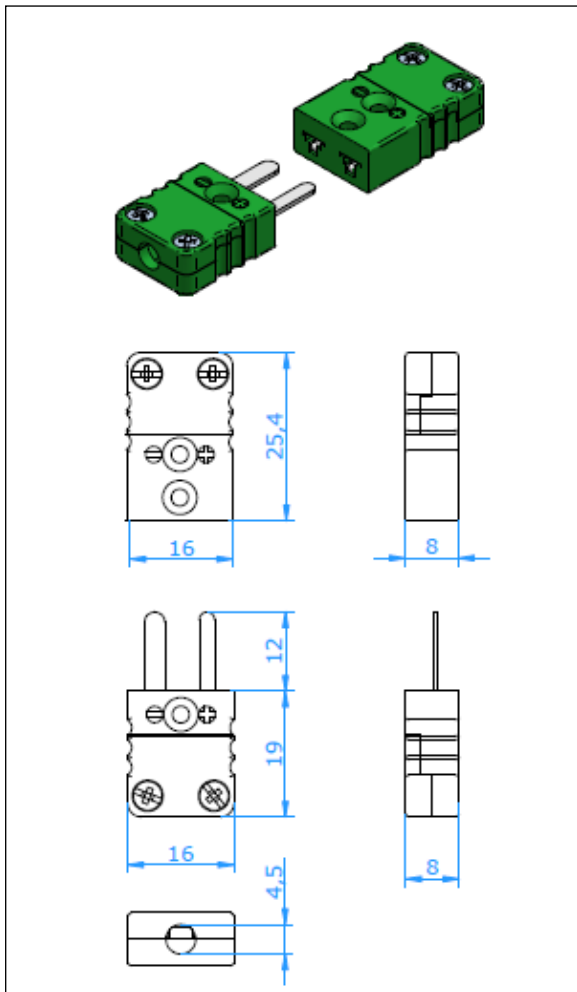
Contents

| | |
|---|-----------|
| CONTENTS | 2 |
| CONNECTORS..... | 4 |
| 1. MINIATURE CONNECTOR | 4 |
| 2. MINIATURE LOCKING CONNECTOR | 5 |
| 3. MINIATURE CONNECTOR HIGH TEMPERATURE | 6 |
| 4. MINIATURE CONNECTOR ULTRA HIGH TEMPERATURE | 7 |
| 5. MINIATURE CONNECTOR CERAMIC | 8 |
| 6. MINIATURE CONNECTOR DUPLEX | 9 |
| 7. MINIATURE CONNECTOR THREE PIN | 10 |
| 8. STANDARD CONNECTOR | 11 |
| 9. STANDARD QUICK CONNECTOR | 12 |
| 10. STANDARD CONNECTOR HIGH TEMPERATURE | 13 |
| 11. STANDARD CONNECTOR ULTRA HIGH TEMPERATURE | 14 |
| 12. STANDARD CONNECTOR CERAMIC | 15 |
| 13. STANDARD CONNECTOR DUPLEX | 16 |
| 14. STANDARD CONNECTOR THREE PIN | 17 |
| 15. MULTIPLE PLUG STANDARD | 18 |
| 16. MULTIPLE JACK STANDARD | 19 |
| ACCESSORIES..... | 20 |
| 17. MINIATURE CONNECTOR GROMMET | 20 |
| 18. MINIATURE CONNECTOR BENDING PROTECTION | 21 |
| 19. MINIATURE CONNECTOR PROTECTION BOOT | 22 |
| 20. MINIATURE CONNECTOR WIRE INSERT | 23 |
| 21. MINIATURE CONNECTOR CRIMP INSERT | 24 |
| 22. MINIATURE CONNECTOR WIRE CLAMP BRACKET | 25 |
| 23. MINIATURE CONNECTOR LOCKING CLIP | 26 |
| 24. STANDARD CONNECTOR GROMMET | 27 |
| 25. STANDARD CONNECTOR BENDING PROTECTION | 28 |
| 26. STANDARD CONNECTOR PROTECTION BOOT | 29 |
| 27. STANDARD CONNECTOR WIRE INSERT | 30 |
| 28. STANDARD CONNECTOR CRIMP INSERT | 31 |
| 29. STANDARD CONNECTOR WIRE CLAMP BRACKET | 32 |
| PANELS..... | 33 |
| 30. PANEL MINIATURE INSERT LUGGED | 33 |
| 31. PANEL MINIATURE INSERT THREE PIN LUGGED | 34 |
| 32. PANEL MINIATURE INSERT ROUND DIRECT MOUNT | 35 |
| 33. PANEL MINIATURE INSERT FLANGED | 36 |
| 34. PANEL STANDARD INSERT LUGGED | 37 |
| 35. PANEL STANDARD INSERT THREE PIN LUGGED | 38 |
| 36. PANEL STANDARD INSERT ROUND DIRECT MOUNT | 39 |
| 37. PANEL STANDARD INSERT FLANGED | 40 |
| 38. PANEL ASSEMBLY MINIATURE HORIZONTAL | 41 |

| | |
|---|-----------|
| 39. PANEL ASSEMBLY MINIATURE LOCKING HORIZONTAL _____ | 42 |
| 40. PANEL ASSEMBLY STANDARD HORIZONTAL _____ | 43 |
| 41. PANEL ASSEMBLY STANDARD VERTICAL _____ | 44 |
| 42. PANEL ASSEMBLY STANDARD HIGH TEMPERATURE VERTICAL _____ | 45 |
| TOOLING..... | 46 |
| 43. CRIMP TOOL _____ | 46 |
| MISCELLANEOUS..... | 47 |
| 44. MOUNTING FLAG FOR PIPING _____ | 47 |
| 45. FIBERGLASS TAPE _____ | 48 |
| 46. BARRIER TERMINAL BLOCK _____ | 49 |
| 47. LUGS _____ | 50 |

Connectors

Miniature Connector



Application:

Connector for thermocouple and RTD circuits. Suited for small wires and mineral insulated cables.

Construction:

- Glass filled high quality thermoplastic body with original thermocouple material pins and springloaded inserts.
- Polarized pins ensure proper connection.
- Easy wire connection through sandwich construction.
- Molded barriers prevent short circuit.
- Rugged one body design.
- Stainless Steel screws with combination head (Slotted and Phillips)

Wire size:

- Accepts wires up to 0.6 mm.
- Maximum cable diameter 4.5 mm.

Temperature rating:

200 °C Max.

Colour Code:

Available in all colour code standards. incl. NFE, BS, JIS, etc.

Accessories:

See separate specification sheet.

Ordering Code

Jack : TK-xx-x

Plug : TS-xx-x

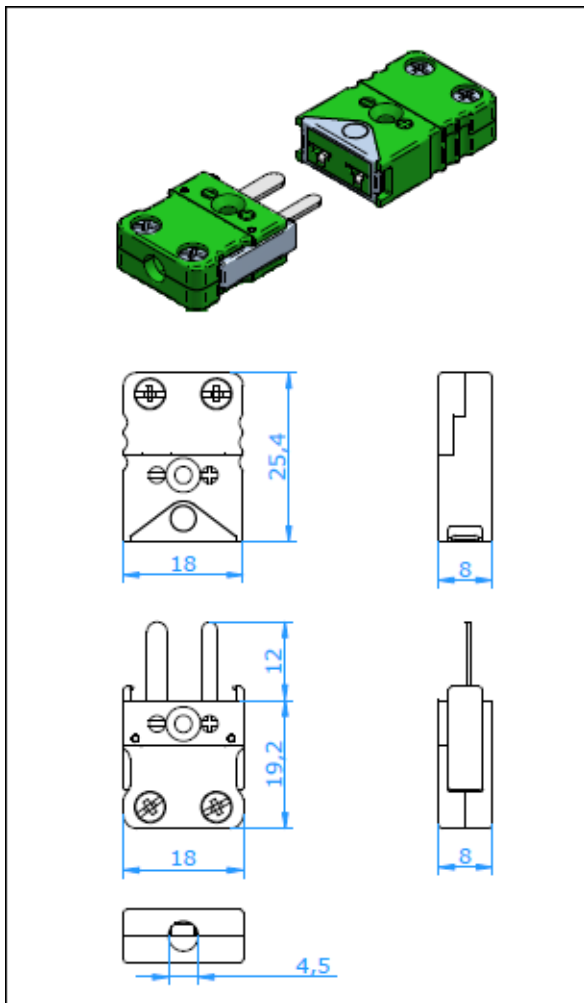
For digits 'xx-x' see table below

E.g. : TS-KM-I = Connector Mini Plug type K green

| Calibration Code | E | J | K | N | T | U | R/S | C | B |
|---------------------------|-------------|-------------|-------------|-------------|-------------|-------------|---------------|----------------|------------------|
| Compensation material for | | | | | | | Pt13Rh/ Pt | W5Re/ W26Re | Pt6Rh/ Pt30Rh |
| Material Positive | NiCr | Fe | NiCr | NiCrSi | Cu | Cu | Cu | CPX | Cu |
| Material Negative | CuNi | CuNi | NiAl | NiSi | CuNi | Cu | Alloy #11 | CNX | Cu |
| IEC Colour Code | | | | | | | | | |
| Colour body | Violet | Black | Green | Pink | Brown | White | Orange | Red | Grey |
| Code | EM-I | JM-I | KM-I | NM-I | TM-I | UM-I | RM-I | CM-I | BM-I |
| ANSI Colour Code | | | | | | | | | |
| Colour body | Violet | Black | Yellow | Orange | Blue | White | Green | Red | Grey |
| Code | EM-I | JM-I | KM-A | NM-A | TM-A | UM-I | RM-A | CM-I | BM-I |
| DIN Colour Code | | | | | | | | | |
| Colour body | | Blue | Green | | Brown | | White | | Grey |
| Code | | JM-D | KM-I | | TM-I | | RM-D | | BM-I |

Connectors

Miniature Locking Connector



Application:

Self locking connector pair for thermocouple and RTD circuits. Locking feature prevents unwanted disconnection due to vibration etc. Suited for small wires and mineral insulated cables.

Construction:

- Glass filled high quality thermoplastic body with original thermocouple material pins and springloaded inserts.
- Polarized pins ensure proper connection.
- Easy wire connection through sandwich construction.
- Molded barriers prevent short circuit.
- Rugged one body design.
- Stainless Steel screws with combination head (Slotted and Phillips)
- Stainless steel locking clip
- Miniature Locking Connector also fits our Miniature Connector plugs and jacks.

Wire size:

- Accepts wires up to 0.6 mm.
- Maximum cable diameter 4.5 mm.

Temperature rating:

200 °C Max.

Colour Code:

Available in all colour code standards incl. NFE, BS, JIS, etc.

Accessories:

See separate specification sheet.

Ordering Code **Jack : TK-xx-xLOC**
Plug : TS-xx-xLOC

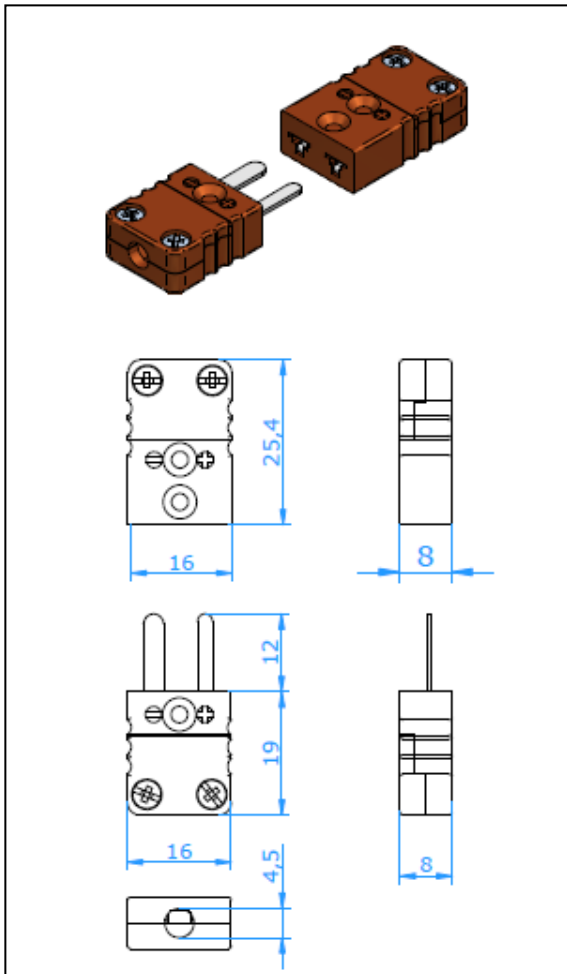
For digits 'xx-x' see table below

E.g. : TS-KM-ILOC = Mini Locking Connector Plug type K green

| Calibration Code | E | J | K | N | T | U | R/S | C | B |
|---------------------------|-------------|-------------|-------------|-------------|-------------|-------------|---------------|----------------|------------------|
| Compensation material for | | | | | | | Pt13Rh/ Pt | W5Re/ W26Re | Pt6Rh/ Pt30Rh |
| Material Positive | NiCr | Fe | NiCr | NiCrSi | Cu | Cu | Cu | CPX | Cu |
| Material Negative | CuNi | CuNi | NiAl | NiSi | CuNi | Cu | Alloy #11 | CNX | Cu |
| IEC Colour Code | | | | | | | | | |
| Colour body | Violet | Black | Green | Pink | Brown | White | Orange | Red | Grey |
| Code | EM-I | JM-I | KM-I | NM-I | TM-I | UM-I | RM-I | CM-I | BM-I |
| ANSI Colour Code | | | | | | | | | |
| Colour body | Violet | Black | Yellow | Orange | Blue | White | Green | Red | Grey |
| Code | EM-I | JM-I | KM-A | NM-A | TM-A | UM-I | RM-A | CM-I | BM-I |
| DIN Colour Code | | | | | | | | | |
| Colour body | | Blue | Green | | Brown | | White | | Grey |
| Code | | JM-D | KM-I | | TM-I | | RM-D | | BM-I |

Connectors

Miniature Connector High Temperature



Application:

Connector for thermocouple and RTD circuits. Suited for small wires and mineral insulated cables. Thermoset material designed for use at high temperatures.

Construction:

- Body of thermoset material with original thermocouple material pins and springloaded inserts.
- Polarized pins ensure proper connection.
- Easy wire connection through sandwich construction.
- Molded barriers prevent short circuit.
- Rugged one body design.

Wire size:

- Accepts wires up to 0.6 mm.
- Maximum cable diameter 4.5 mm.

Temperature rating:

- 350 °C Max.

Colour Code:

- Body colour brown with coloured dot. Calibration indication printed on cover.

Accessories:

- See separate specification sheet.

Ordering Code

Jack : TK-xx-xH

Plug : TS-xx-xH

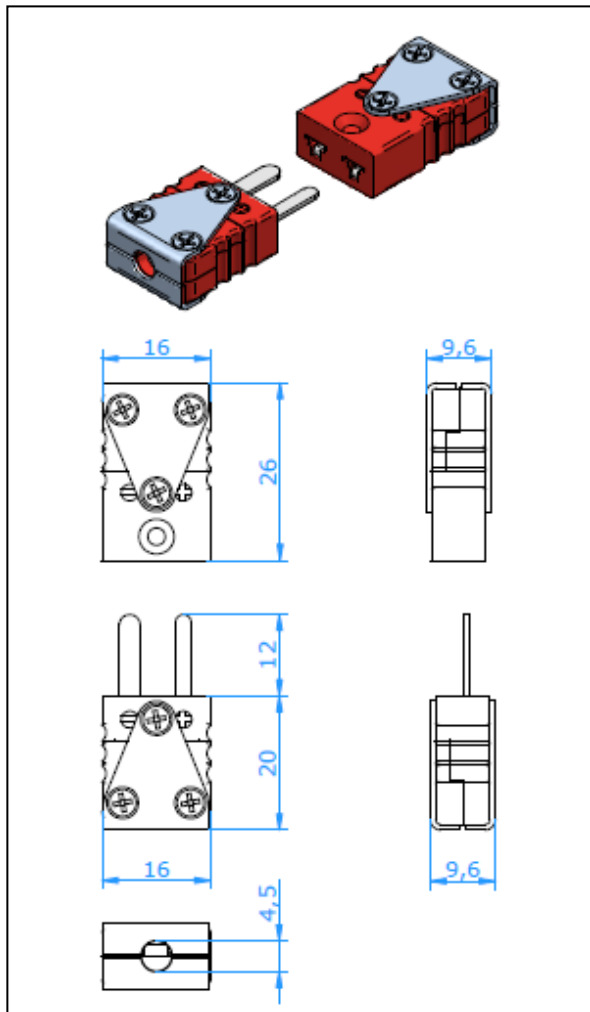
For digits 'xx-x' see table below

E.g. : TS-KM-AH = Mini Plug type K High Temp yellow dot

| | E | J | K | N | T | U | R/S | C | B |
|--|-------------|-------------|-------------|-------------|-------------|-------------|---------------|----------------|------------------|
| Calibration Code Compensation material for | | | | | | | Pt13Rh/ Pt | W5Re/ W26Re | Pt6Rh/ Pt30Rh |
| Material Positive | NiCr | Fe | NiCr | NiCrSi | Cu | Cu | Cu | CPX | Cu |
| Material Negative | CuNi | CuNi | NiAl | NiSi | CuNi | Cu | Alloy #11 | CNX | Cu |
| IEC Colour Code | | | | | | | | | |
| Colour Dot | Violet | Black | Green | Pink | Brown | White | Orange | Red | Grey |
| Code | EM-I | JM-I | KM-I | NM-I | TM-I | UM-I | RM-I | CM-I | BM-I |
| ANSI Colour Code | | | | | | | | | |
| Colour Dot | Violet | Black | Yellow | Orange | Blue | White | Green | Red | Grey |
| Code | EM-I | JM-I | KM-A | NM-A | TM-A | UM-I | RM-A | CM-I | BM-I |
| DIN Colour Code | | | | | | | | | |
| Colour Dot | | Blue | Green | | Brown | | White | | Grey |
| Code | | JM-D | KM-I | | TM-I | | RM-D | | BM-I |

Connectors

Miniature Connector Ultra High Temperature



Application:

Connector for thermocouple and RTD circuits. Suited for small wires and mineral insulated cables. Plastic compound designed for use at elevated temperatures.

Construction:

- Body of ultra high temp thermoset material with original thermocouple material pins and springloaded inserts.
- Polarized pins ensure proper connection.
- Easy wire connection through sandwich construction.
- Molded barriers prevent short circuit.
- Rugged one body design.
- Stainless steel bracket and screws to increase strength of the connector body.

Wire size:

- Accepts wires up to 0.6 mm.
- Maximum cable diameter 4.5 mm.

Temperature rating:

- 425 °C continuous, 540 °C intermittent

Colour Code:

- Body colour brown. Calibration indication stamped on the stainless steel top-bracket.

Accessories:

- See separate specification sheet.

Ordering Code

Jack :

TK-xMU

x = Calibration Code (See table below)

Plug :

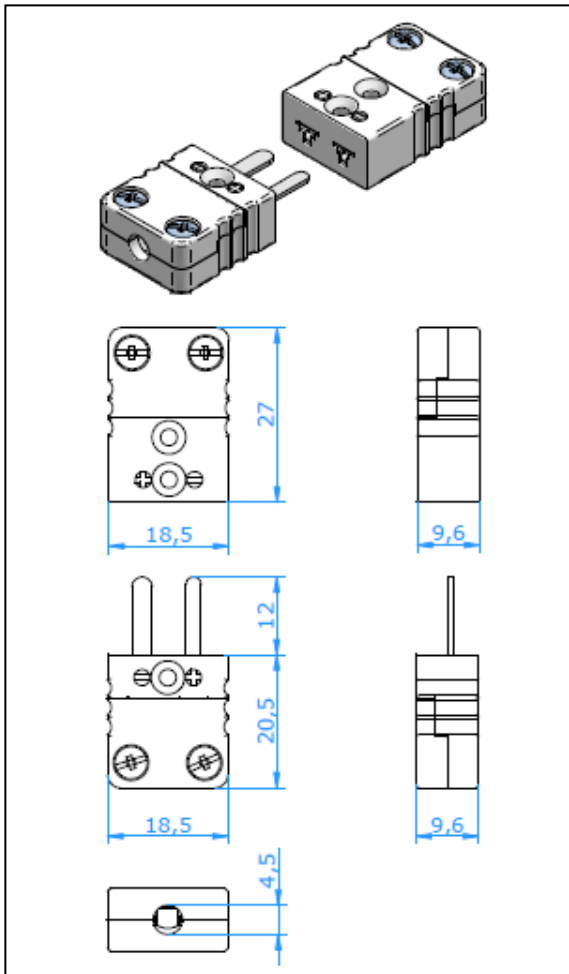
TS-xMU

E.g. : TS-KMU = Mini Plug type K High Temperature

| Calibration Code | E | J | K | N | T | U | R/S | C | B |
|---------------------------|------|------|------|--------|------|----|---------------|----------------|------------------|
| Compensation material for | | | | | | | Pt13Rh/ Pt | W5Re/ W26Re | Pt6Rh/ Pt30Rh |
| Material Positive | NiCr | Fe | NiCr | NiCrSi | Cu | Cu | Cu | CPX | Cu |
| Material Negative | CuNi | CuNi | NiAl | NiSi | CuNi | Cu | Alloy #11 | CNX | Cu |

Connectors

Miniature Connector Ceramic



Application:

Connector for thermocouple and RTD circuits. Suited for small wires and mineral insulated cables.

Construction:

- Ceramic body with original thermocouple material pins and springloaded inserts.
- Polarized pins ensure proper connection.
- Oversize screw head for easy wiring.
- One body design
- High purity alumina body material

Wire size:

- Accepts wires up to 0,6 mm.
- Maximum cable diameter 4,5 mm.

Temperature rating:

- 650 °C Max.

Colour Code:

- Body colour white. Calibration indication by coloured dot.

Accessories:

- Crimp-inserts and wire clamp bracket available, please see separate specification sheet

Ordering Code

Jack : **TK-xx-xCER**

Plug : **TS-xx-xCER**

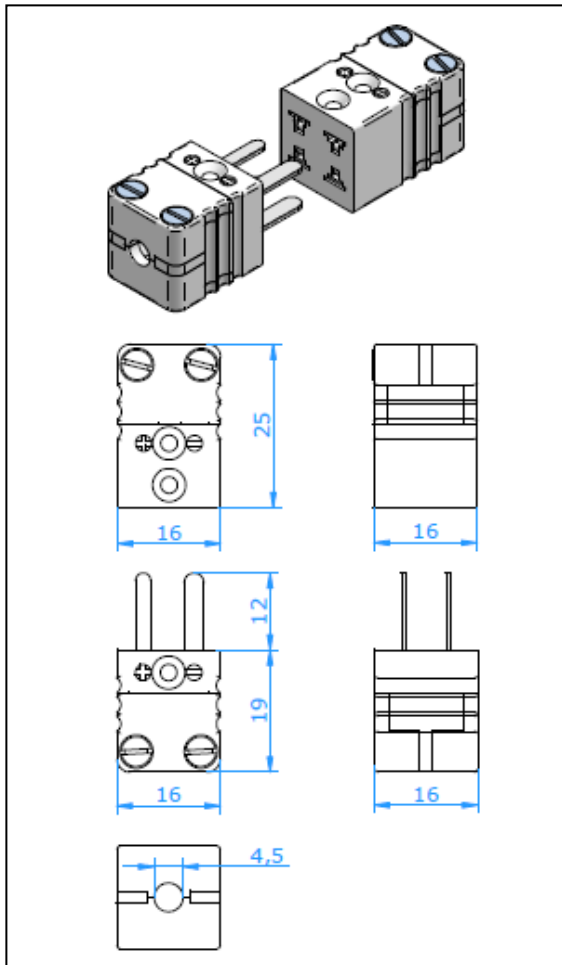
For digits 'xx-x' see table below

E.g. : TS-KM-ICER = Mini Ceramic Plug type K green dot

| | E | J | K | N | T | U | R/S | C | B |
|--|-------------|-------------|-------------|-------------|-------------|-------------|---------------|----------------|------------------|
| Calibration Code Compensation material for | | | | | | | Pt13Rh/ Pt | W5Re/ W26Re | Pt6Rh/ Pt30Rh |
| Material Positive | NiCr | Fe | NiCr | NiCrSi | Cu | Cu | Cu | CPX | Cu |
| Material Negative | CuNi | CuNi | NiAl | NiSi | CuNi | Cu | Alloy #11 | CNX | Cu |
| IEC Colour Code | | | | | | | | | |
| Colour Dot | Violet | Black | Green | Pink | Brown | White | Orange | Red | Grey |
| Code | EM-I | JM-I | KM-I | NM-I | TM-I | UM-I | RM-I | CM-I | BM-I |
| ANSI Colour Code | | | | | | | | | |
| Colour Dot | Violet | Black | Yellow | Orange | Blue | White | Green | Red | Grey |
| Code | EM-I | JM-I | KM-A | NM-A | TM-A | UM-I | RM-A | CM-I | BM-I |
| DIN Colour Code | | | | | | | | | |
| Colour Dot | | Blue | Green | | Brown | | White | | Grey |
| Code | | JM-D | KM-I | | TM-I | | RM-D | | BM-I |

Connectors

Miniature Connector Duplex



Application:

Connector for thermocouple and RTD circuits. Suited for small wires and mineral insulated cable. Can be used for 4-wire RTD's.

Construction:

- Glass filled thermoplastic body with original thermocouple material pins and springloaded inserts.
- Polarized pins ensure proper connection.
- Easy wire connection through sandwich construction.
- Molded barriers prevent short circuit.
- Rugged one body design.

Wire size:

- Accepts wires up to 0.6 mm.
- Maximum cable diameter 4.5 mm.

Temperature rating:

200 °C Max.

Colour Code:

- Body colour white. Calibration indication by coloured dot.

Accessories:

- Crimp inserts and wire clamp bracket, see separate specification sheet.

Ordering Code

Jack : TK-xx-xDUP

Plug : TS-xx-xDUP

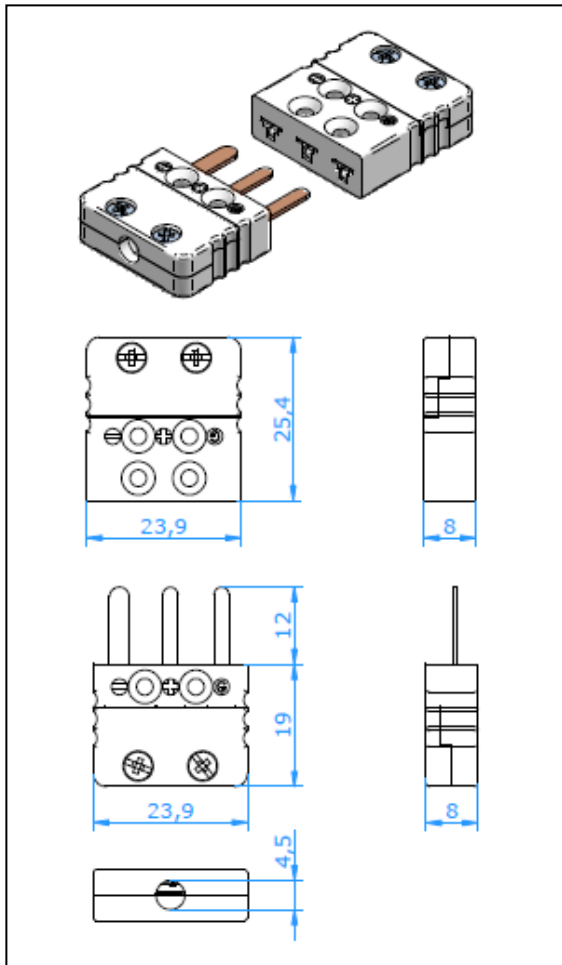
For digits 'xx-x' see table below

E.g. : TS-KM-IDUP = Mini Plug type K duplex green

| | E | J | K | N | T | U | R/S | C | B |
|--|-------------|-------------|-------------|-------------|-------------|-------------|---------------|----------------|------------------|
| Calibration Code Compensation material for | | | | | | | Pt13Rh/ Pt | W5Re/ W26Re | Pt6Rh/ Pt30Rh |
| Material Positive | NiCr | Fe | NiCr | NiCrSi | Cu | Cu | Cu | CPX | Cu |
| Material Negative | CuNi | CuNi | NiAl | NiSi | CuNi | Cu | Alloy #11 | CNX | Cu |
| IEC Colour Code | | | | | | | | | |
| Colour Dot | Violet | Black | Green | Pink | Brown | White | Orange | Red | Grey |
| Code | EM-I | JM-I | KM-I | NM-I | TM-I | UM-I | RM-I | CM-I | BM-I |
| ANSI Colour Code | | | | | | | | | |
| Colour Dot | Violet | Black | Yellow | Orange | Blue | White | Green | Red | Grey |
| Code | EM-I | JM-I | KM-A | NM-A | TM-A | UM-I | RM-A | CM-I | BM-I |
| DIN Colour Code | | | | | | | | | |
| Colour Dot | | Blue | Green | | Brown | | White | | Grey |
| Code | | JM-D | KM-I | | TM-I | | RM-D | | BM-I |

Connectors

Miniature Connector Three Pin



Application:

Connector for thermocouple and RTD circuits. Suited for small wires and mineral insulated cable. Third connection for ground or continuous shield connection or for three wire RTD's.

Construction:

- Glass filled thermoplastic body with original thermocouple material pins and springloaded inserts.
- Polarized pins ensure proper connection.
- Easy wire connection through sandwich construction.
- Molded barriers prevent short circuit.
- Rugged one body design.

Wire size:

- Accepts wires up to 0.6 mm.
- Maximum cable diameter 4.5 mm.

Temperature rating:

200 °C Max.

Colour Code:

Available in all colour code standards. incl. NFE, BS, JIS, etc.

Accessories:

Most accessories for the miniature connectors can be fitted. See separate specification sheet.

Ordering Code

Jack : TK-xx-x3

Plug : TS-xx-x3

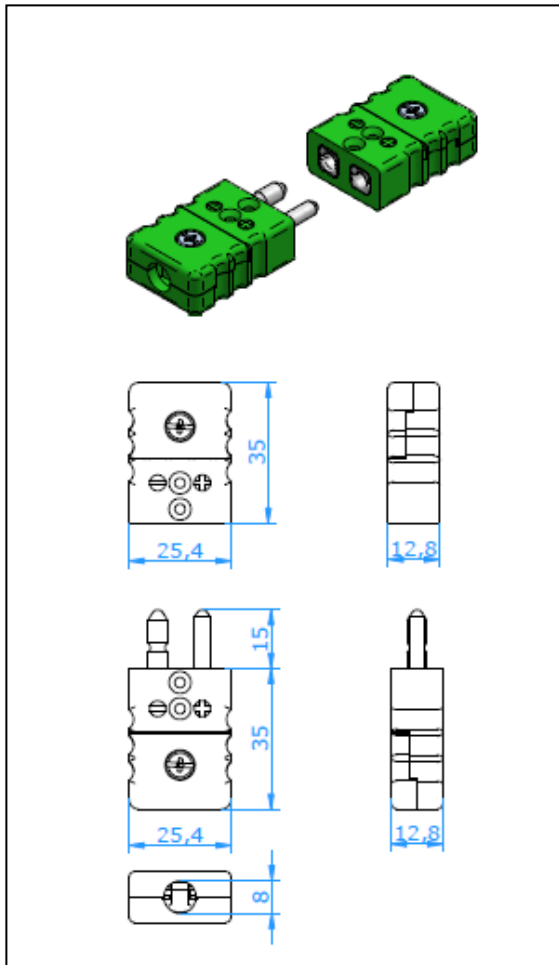
For digits 'xx-x' see table below

E.g. : TS-KM-I3 = Mini Plug type K three pin green

| Calibration Code | E | J | K | N | T | U | R/S | C | B |
|---------------------------|-------------|-------------|-------------|-------------|-------------|-------------|---------------|----------------|------------------|
| Compensation material for | | | | | | | Pt13Rh/ Pt | W5Re/ W26Re | Pt6Rh/ Pt30Rh |
| Material Positive | NiCr | Fe | NiCr | NiCrSi | Cu | Cu | Cu | CPX | Cu |
| Material Negative | CuNi | CuNi | NiAl | NiSi | CuNi | Cu | Alloy #11 | CNX | Cu |
| IEC Colour Code | | | | | | | | | |
| Colour body | Violet | Black | Green | Pink | Brown | White | Orange | Red | Grey |
| Code | EM-I | JM-I | KM-I | NM-I | TM-I | UM-I | RM-I | CM-I | BM-I |
| ANSI Colour Code | | | | | | | | | |
| Colour body | Violet | Black | Yellow | Orange | Blue | White | Green | Red | Grey |
| Code | EM-I | JM-I | KM-A | NM-A | TM-A | UM-I | RM-A | CM-I | BM-I |
| DIN Colour Code | | | | | | | | | |
| Colour body | | Blue | Green | | Brown | | White | | Grey |
| Code | | JM-D | KM-I | | TM-I | | RM-D | | BM-I |

Connectors

Standard Connector



Application:

Connector for thermocouple and RTD circuits. Solid pin design ensures good contact even in demanding applications.

Construction:

- Glass filled high quality thermoplastic body with original thermocouple material pins and springloaded inserts.
- Polarized pins ensure proper connection.
- Central cover screw design for quick wiring
- Easy wire connection through sandwich construction.
- Molded barriers prevent short circuit.
- Stainless steel screws with combination head (slotted and Phillips).

Wire size:

- Accepts wires up to 2.0 mm.
- Maximum cable diameter 8.0 mm.

Temperature rating:

200 °C Max.

Colour Code:

Available in all colour code standards. incl. NFE, BS, JIS, etc.

Accessories:

- Large variety of accessories for the standard connector are available. See separate specification sheet.

Ordering Code

Jack : TK-x-x

Plug : TS-x-x

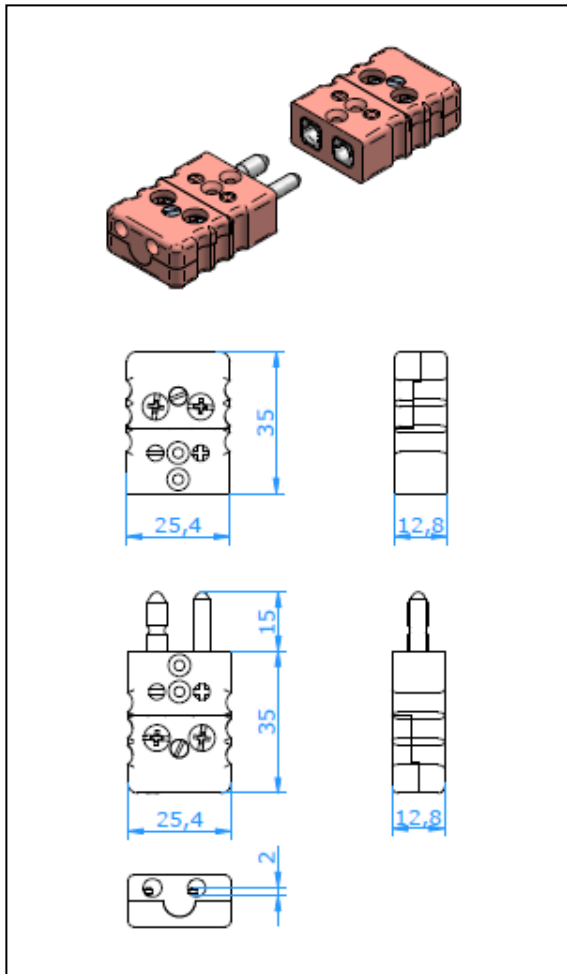
For digits 'x-x' see table below

E.g. : TS-K-I = Standard Plug type K green

| | E | J | K | N | T | U | R/S | C | B |
|--|------------|------------|------------|------------|------------|------------|---------------|----------------|------------------|
| Calibration Code Compensation material for | | | | | | | Pt13Rh/ Pt | W5Re/ W26Re | Pt6Rh/ Pt30Rh |
| Material Positive | NiCr | Fe | NiCr | NiCrSi | Cu | Cu | Cu | CPX | Cu |
| Material Negative | CuNi | CuNi | NiAl | NiSi | CuNi | Cu | Alloy #11 | CNX | Cu |
| IEC Colour Code | | | | | | | | | |
| Colour body | Violet | Black | Green | Pink | Brown | White | Orange | Red | Grey |
| Code | E-I | J-I | K-I | N-I | T-I | U-I | R-I | C-I | B-I |
| ANSI Colour Code | | | | | | | | | |
| Colour body | Violet | Black | Yellow | Orange | Blue | White | Green | Red | Grey |
| Code | E-I | J-I | K-A | N-A | T-A | U-I | R-A | C-I | B-I |
| DIN Colour Code | | | | | | | | | |
| Colour body | | Blue | Green | | Brown | | White | | Grey |
| Code | | J-D | K-I | | T-I | | R-D | | B-I |

Connectors

Standard Quick Connector



Application:

Connector for thermocouple and RTD circuits. Quick connector cover allows easy connection without the need for cover removal. Solid pin design ensures good contact even in demanding applications.

Construction:

- Glass filled thermoplastic body with original thermocouple material pins.
- Polarized pins ensure proper connection.
- Captive cover screw for easy assembly
- Molded barriers prevent short circuit.

Wire size:

- Accepts wires up to 2.0 mm.

Temperature rating:

200 °C Max.

Colour Code:

Available in all colour code standards. incl. NFE, BS, JIS, etc.

Accessories:

- Large variety of accessories for the standard connector are available. See separate specification sheet.

Minimum order quantity : 100 pcs.

Ordering Code

Jack : TK-x-xQC

Plug : TS-x-xQC

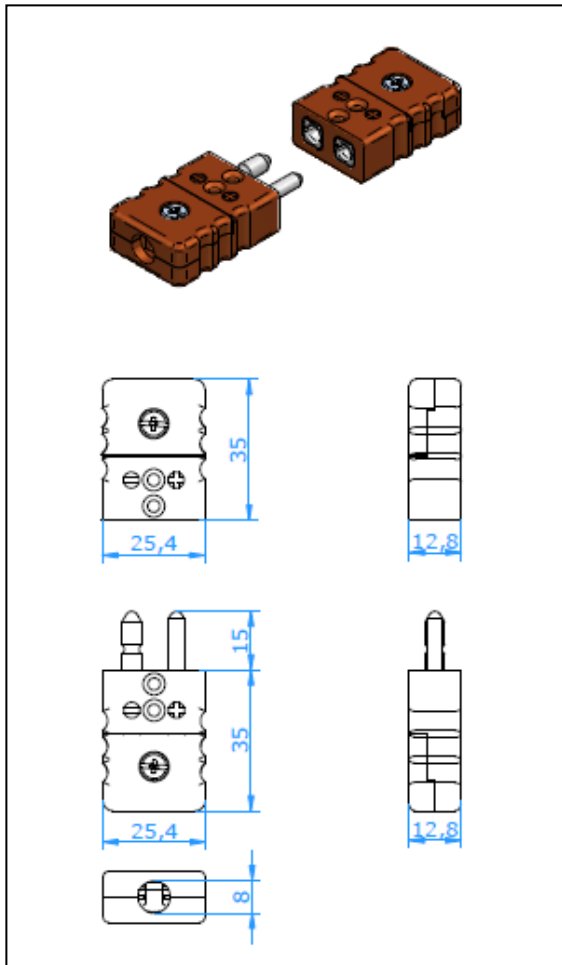
For digits 'x-x' see table below

E.g. : TS-K-IQC = Stand. Quick Connector Plug type K green

| | E | J | K | N | T | U | R/S | C | B |
|--|------------|------------|------------|------------|------------|------------|---------------|----------------|------------------|
| Calibration Code Compensation material for | | | | | | | Pt13Rh/ Pt | W5Re/ W26Re | Pt6Rh/ Pt30Rh |
| Material Positive | NiCr | Fe | NiCr | NiCrSi | Cu | Cu | Cu | CPX | Cu |
| Material Negative | CuNi | CuNi | NiAl | NiSi | CuNi | Cu | Alloy #11 | CNX | Cu |
| IEC Colour Code | | | | | | | | | |
| Colour body | Violet | Black | Green | Pink | Brown | White | Orange | Red | Grey |
| Code | E-I | J-I | K-I | N-I | T-I | U-I | R-I | C-I | B-I |
| ANSI Colour Code | | | | | | | | | |
| Colour body | Violet | Black | Yellow | Orange | Blue | White | Green | Red | Grey |
| Code | E-I | J-I | K-A | N-A | T-A | U-I | R-A | C-I | B-I |
| DIN Colour Code | | | | | | | | | |
| Colour body | | Blue | Green | | Brown | | White | | Grey |
| Code | | J-D | K-I | | T-I | | R-D | | B-I |

Connectors

Standard Connector High Temperature



Application:

Connector for thermocouple and RTD circuits. Solid pin design ensures good contact even in demanding applications. Thermoset material designed for use at high temperatures.

Construction:

- Body of thermoset material with original thermocouple material pins and springloaded inserts.
- Polarized pins ensure proper connection.
- Easy wire connection through sandwich construction.
- Molded barriers prevent short circuit.
- Rugged one body design.

Wire size:

- Accepts wires up to 2.0 mm.
- Maximum cable diameter 8.0mm.

Temperature rating:

350 °C Max.

Colour Code:

Colour of the connector body is brown, calibration indication printed on body.

Accessories:

- Stainless steel braze/crimp adaptors, tube adaptors, wire clamp bracket and U-Brackets are available, please see separate specification sheets.

Ordering Code

Jack : TK-x-xH

Plug : TS-x-xH

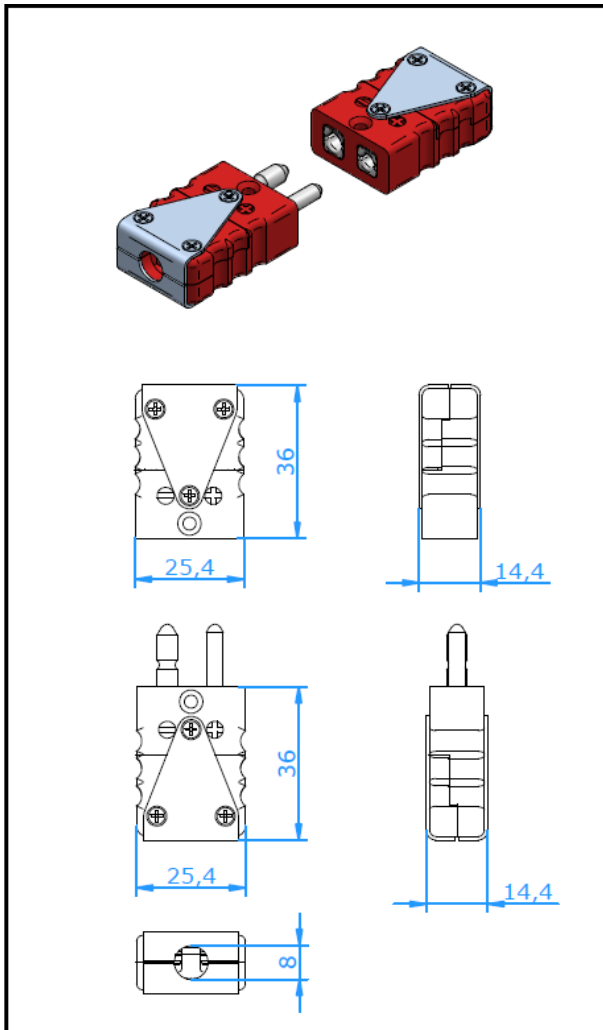
For digits 'x-x' see table below

E.g. : TS-K-IH = Stand. Plug type K High Temp green dot

| | E | J | K | N | T | U | R/S | C | B |
|--|----------------------|---------------------|----------------------|----------------------|---------------------|---------------------|----------------------|-------------------|--------------------|
| Calibration Code Compensation material for | | | | | | | Pt13Rh/ Pt | W5Re/ W26Re | Pt6Rh/ Pt30Rh |
| Material Positive | NiCr | Fe | NiCr | NiCrSi | Cu | Cu | Cu | CPX | Cu |
| Material Negative | CuNi | CuNi | NiAl | NiSi | CuNi | Cu | Alloy #11 | CNX | Cu |
| IEC Colour Code | | | | | | | | | |
| Colour Dot Code | Violet E-I | Black J-I | Green K-I | Pink N-I | Brown T-I | White U-I | Orange R-I | Red C-I | Grey B-I |
| ANSI Colour Code | | | | | | | | | |
| Colour Dot Code | Violet E-I | Black J-I | Yellow K-A | Orange N-A | Blue T-A | White U-I | Green R-A | Red C-I | Grey B-I |
| DIN Colour Code | | | | | | | | | |
| Colour Dot Code | | Blue J-D | Green K-I | | Brown T-I | | White R-D | | Grey B-I |

Connectors

Standard Connector Ultra High Temperature



Application:

Connector for thermocouple and RTD circuits. Plastic compound designed for use at elevated temperatures. Solid pin design ensures good contact even in demanding applications. Hollow pin design offers a good quality product at competitive pricing for less frequently used connectors.

Construction:

- Body of ultra high temp thermoset compound with original thermocouple material pins and springloaded inserts.
- Polarized pins ensure proper connection.
- Easy wire connection through sandwich construction.
- Molded barriers prevent short circuit.
- Rugged one body design.
- Stainless steel bracket and screws for usage in robust Environment

Wire size:

- Accepts wires up to 2,0 mm.
- Maximum cable diameter 8,0 mm.

Temperature rating:

- 425 °C continuous, 540 °C intermittent

Colour Code:

- Colour of the connector-body is red/brown, calibration Indication, stamped on the stainless steel top-bracket

Accessories:

- Stainless steel braze/crimp adaptors, tube adaptors, wire clamp bracket and U-Brackets are available, please see separate specification sheets or consult factory

Ordering Code

Jack :
Plug :

TK-xU
TS-xU

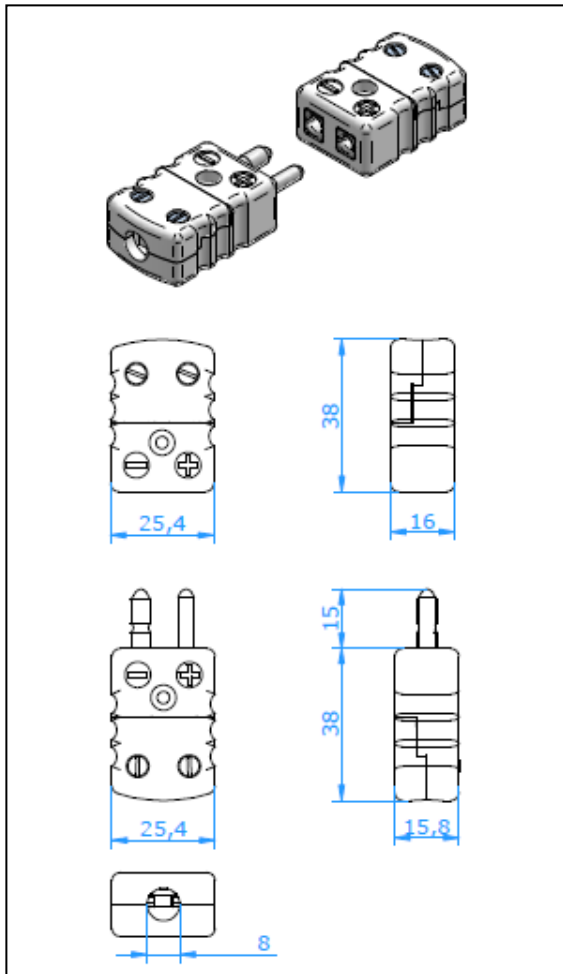
x = Calibration Code (See table below)

E.g. : TS-KU = Standard Plug type K Ultra High Temperature

| Calibration Code | E | J | K | N | T | U | R/S | C | B |
|---------------------------|------|------|------|--------|------|----|---------------|----------------|------------------|
| Compensation material for | | | | | | | Pt13Rh/ Pt | W5Re/ W26Re | Pt6Rh/ Pt30Rh |
| Material Positive | NiCr | Fe | NiCr | NiCrSi | Cu | Cu | Cu | CPX | Cu |
| Material Negative | CuNi | CuNi | NiAl | NiSi | CuNi | Cu | Alloy #11 | CNX | Cu |

Connectors

Standard Connector Ceramic



Application:

Connector for thermocouple and RTD circuits. Solid pin design ensures good contact even in demanding applications.

Construction:

- Ceramic body with original thermocouple material pins and springloaded inserts.
- Polarized pins ensure proper connection.
- Oversize terminal screw head for easy wiring.
- One body design.
- High purity alumina body material.

Wire size:

- Accepts wires up to 2.0 mm.
- Maximum cable diameter 8.0mm.

Temperature rating:

650 °C Max.

Colour Code:

Body colour white with coloured dot.

Accessories:

- See separate specification sheet.

Ordering Code

Jack : TK-x-xCER

Plug : TS-x-xCER

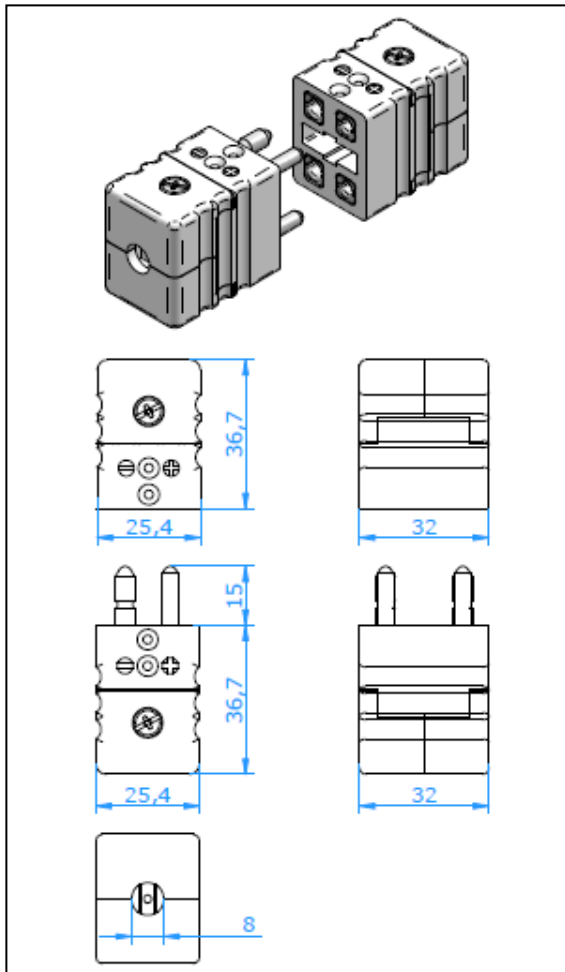
For digits 'x-x' see table below

E.g. : TS-K-ICER = Stand. Ceramic Plug type K green dot

| | E | J | K | N | T | U | R/S | C | B |
|--|------------|------------|------------|------------|------------|------------|---------------|----------------|------------------|
| Calibration Code Compensation material for | | | | | | | Pt13Rh/ Pt | W5Re/ W26Re | Pt6Rh/ Pt30Rh |
| Material Positive | NiCr | Fe | NiCr | NiCrSi | Cu | Cu | Cu | CPX | Cu |
| Material Negative | CuNi | CuNi | NiAl | NiSi | CuNi | Cu | Alloy #11 | CNX | Cu |
| IEC Colour Code | | | | | | | | | |
| Colour Dot | Violet | Black | Green | Pink | Brown | White | Orange | Red | Grey |
| Code | E-I | J-I | K-I | N-I | T-I | U-I | R-I | C-I | B-I |
| ANSI Colour Code | | | | | | | | | |
| Colour Dot | Violet | Black | Yellow | Orange | Blue | White | Green | Red | Grey |
| Code | E-I | J-I | K-A | N-A | T-A | U-I | R-A | C-I | B-I |
| DIN Colour Code | | | | | | | | | |
| Colour Dot | | Blue | Green | | Brown | | White | | Grey |
| Code | | J-D | K-I | | T-I | | R-D | | B-I |

Connectors

Standard Connector Duplex



Application:

Connector for thermocouple and RTD circuits. Is very well suited for 4-wire RTD-'s. Solid pin design ensures good contact even in demanding applications.

Construction:

- Glass filled thermoplastic body with original thermocouple material pins and springloaded inserts.
- Polarized pins ensure proper connection.
- Central cover screw design for quick wiring.
- Molded barriers prevent short circuit.
- Captive cover screw for easy assembly.
- Connects with standard horizontal and vertical panels.

Wire size:

- Accepts wires up to 2.0 mm.
- Maximum cable diameter 8.0 mm.

Temperature rating:

200 °C Max.

Colour Code:

Body colour white with coloured dot.

Accessories:

- Crimp inserts and wire clamp bracket available. See separate specification sheet.

Ordering Code

Jack : TK-x-xDUP

Plug : TS-x-xDUP

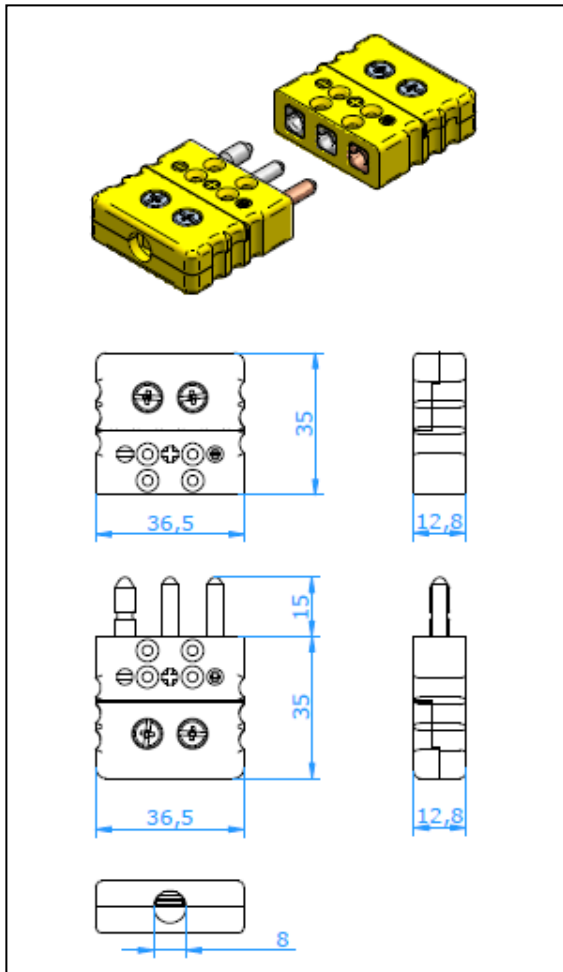
For digits 'x-x' see table below

E.g. : TS-K-IDUP = Duplex Connector Plug type K green dot

| Calibration Code | E | J | K | N | T | U | R/S | C | B |
|---------------------------|------------|------------|------------|------------|------------|------------|---------------|----------------|------------------|
| Compensation material for | | | | | | | Pt13Rh/ Pt | W5Re/ W26Re | Pt6Rh/ Pt30Rh |
| Material Positive | NiCr | Fe | NiCr | NiCrSi | Cu | Cu | Cu | CPX | Cu |
| Material Negative | CuNi | CuNi | NiAl | NiSi | CuNi | Cu | Alloy #11 | CNX | Cu |
| IEC Colour Code | | | | | | | | | |
| Colour body | Violet | Black | Green | Pink | Brown | White | Orange | Red | Grey |
| Code | E-I | J-I | K-I | N-I | T-I | U-I | R-I | C-I | B-I |
| ANSI Colour Code | | | | | | | | | |
| Colour body | Violet | Black | Yellow | Orange | Blue | White | Green | Red | Grey |
| Code | E-I | J-I | K-A | N-A | T-A | U-I | R-A | C-I | B-I |
| DIN Colour Code | | | | | | | | | |
| Colour body | | Blue | Green | | Brown | | White | | Grey |
| Code | | J-D | K-I | | T-I | | R-D | | B-I |

Connectors

Standard Connector Three Pin



Application:

Connector for thermocouple and RTD circuits. Third contact for ground or continuous shield or for three wire RTD's. Solid pin design ensures good contact even in demanding applications.

Construction:

- Glass filled thermoplastic body with original thermocouple material pins and springloaded inserts.
- Polarized pins ensure proper connection.
- Central cover screw design for quick wiring.
- Molded barriers prevent short circuit.
- Captive cover screw for easy assembly.

Wire size:

- Accepts wires up to 2.0 mm.
- Maximum cable diameter 8.0 mm.

Temperature rating:

200 °C Max.

Colour Code:

Available in all colour code standards. incl. NFE, BS, JIS, etc.

Accessories:

- Most accessories for the standard connector can be fitted. See separate specification sheet.

Ordering Code

Jack : TK-x-x3

Plug : TS-x-x3

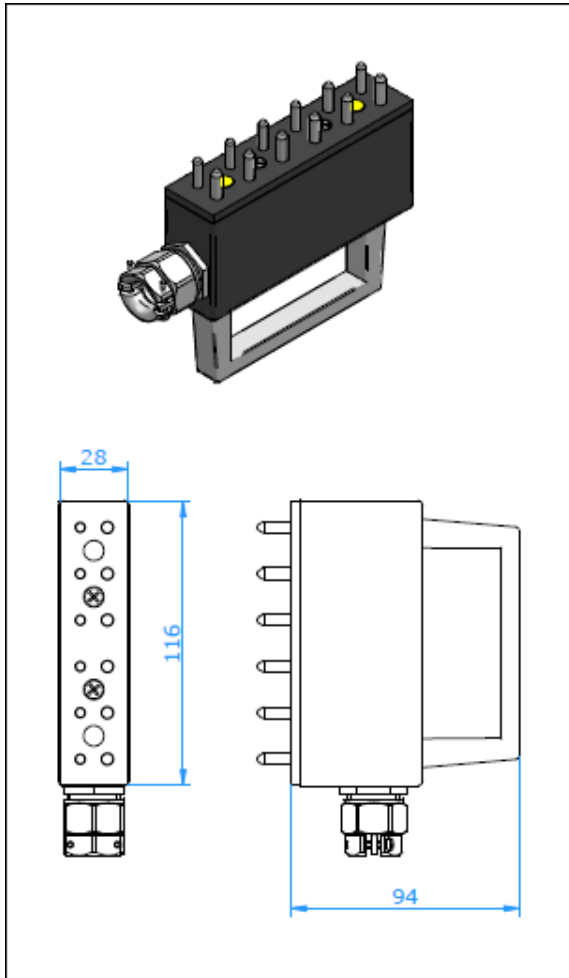
For digits 'x-x' see table below

E.g. : TS-K-I3 = Connector Plug Three Pin type K green dot

| | E | J | K | N | T | U | R/S | C | B |
|--|------------|------------|------------|------------|------------|------------|---------------|----------------|------------------|
| Calibration Code Compensation material for | | | | | | | Pt13Rh/ Pt | W5Re/ W26Re | Pt6Rh/ Pt30Rh |
| Material Positive | NiCr | Fe | NiCr | NiCrSi | Cu | Cu | Cu | CPX | Cu |
| Material Negative | CuNi | CuNi | NiAl | NiSi | CuNi | Cu | Alloy #11 | CNX | Cu |
| IEC Colour Code | | | | | | | | | |
| Colour body | Violet | Black | Green | Pink | Brown | White | Orange | Red | Grey |
| Code | E-I | J-I | K-I | N-I | T-I | U-I | R-I | C-I | B-I |
| ANSI Colour Code | | | | | | | | | |
| Colour body | Violet | Black | Yellow | Orange | Blue | White | Green | Red | Grey |
| Code | E-I | J-I | K-A | N-A | T-A | U-I | R-A | C-I | B-I |
| DIN Colour Code | | | | | | | | | |
| Colour body | | Blue | Green | | Brown | | White | | Grey |
| Code | | J-D | K-I | | T-I | | R-D | | B-I |

Connectors

Multiple Plug Standard



Application:

Multiple plugs for thermocouple and RTD circuits. Suitable for connecting up to 6 standard circuits simultaneously.

Construction:

- Rugged steel epoxy painted housing.
- Anodized aluminium handle for easy grip
- Available in 1 through 6 circuits versions.
- Corresponds with standard vertical panel BM 20.060 and standard multiple jack MJS.

Wire size:

- Accepts wires up to 1.5 mm.
- Entrance fitting PG 13 allows cable diameters up to 15mm.

Temperature rating:

200 °C Max.

Colour Code:

Calibration is indicated by colour coded dot on the front
Available in all colour code standards.
incl. NFE, BS, JIS, etc.

Ordering Code

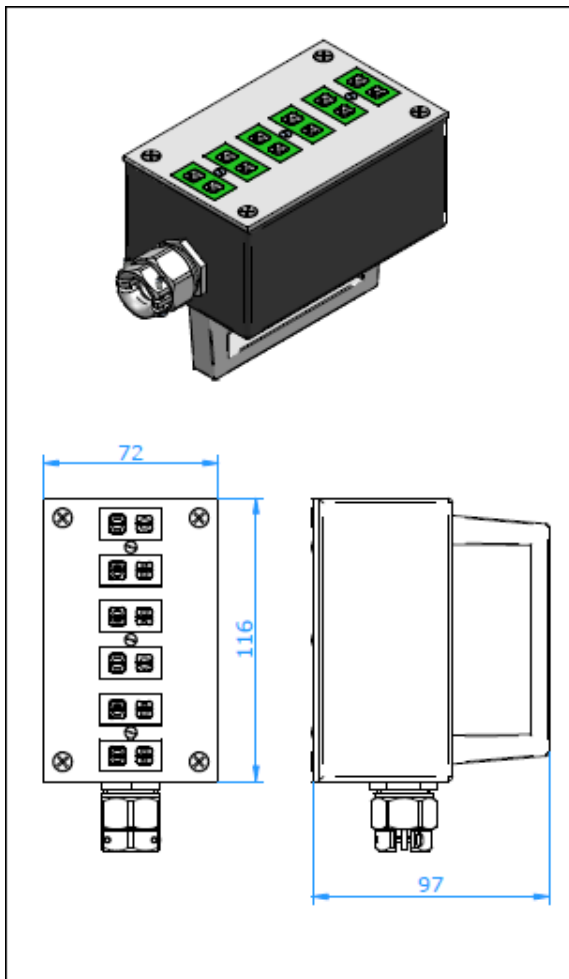
MPS-yx-x

Digit y is number of circuits (1 to 6). For digits 'x-x' see table below
E.g. : MPS-4K-I = Multiple Standard Plug 4 circuits type K green

| | | | | | | | | | |
|---------------------------|------------|------------|------------|------------|------------|------------|---------------|----------------|------------------|
| Calibration Code | E | J | K | N | T | U | R/S | C | B |
| Compensation material for | | | | | | | Pt13Rh/ Pt | W5Re/ W26Re | Pt6Rh/ Pt30Rh |
| Material Positive | NiCr | Fe | NiCr | NiCrSi | Cu | Cu | Cu | CPX | Cu |
| Material Negative | CuNi | CuNi | NiAl | NiSi | CuNi | Cu | Alloy #11 | CNX | Cu |
| IEC Colour Code | | | | | | | | | |
| Colour body | Violet | Black | Green | Pink | Brown | White | Orange | Red | Grey |
| Code | E-I | J-I | K-I | N-I | T-I | U-I | R-I | C-I | B-I |
| ANSI Colour Code | | | | | | | | | |
| Colour body | Violet | Black | Yellow | Orange | Blue | White | Green | Red | Grey |
| Code | E-I | J-I | K-A | N-A | T-A | U-I | R-A | C-I | B-I |
| DIN Colour Code | | | | | | | | | |
| Colour body | | Blue | Green | | Brown | | White | | Grey |
| Code | | J-D | K-I | | T-I | | R-D | | B-I |

Connectors

Multiple Jack Standard



Application:

Multiple plugs for thermocouple and RTD circuits. Suitable for connecting up to 6 standard circuits simultaneously.

Construction:

- Rugged steel epoxy painted housing.
- Anodized aluminium handle for easy grip
- Available in 1 through 6 circuits versions.
- Corresponds with standard vertical panel BM 20.060.

Wire size:

- Accepts wires up to 3.0 mm.
- Entrance fitting PG 13 allows cable diameters up to 15mm.

Temperature rating:

200 °C Max.

Colour Code:

Calibration is indicated by colour coding of panel inserts
Available in all colour code standards.
incl. NFE, BS, JIS, etc.

Ordering Code

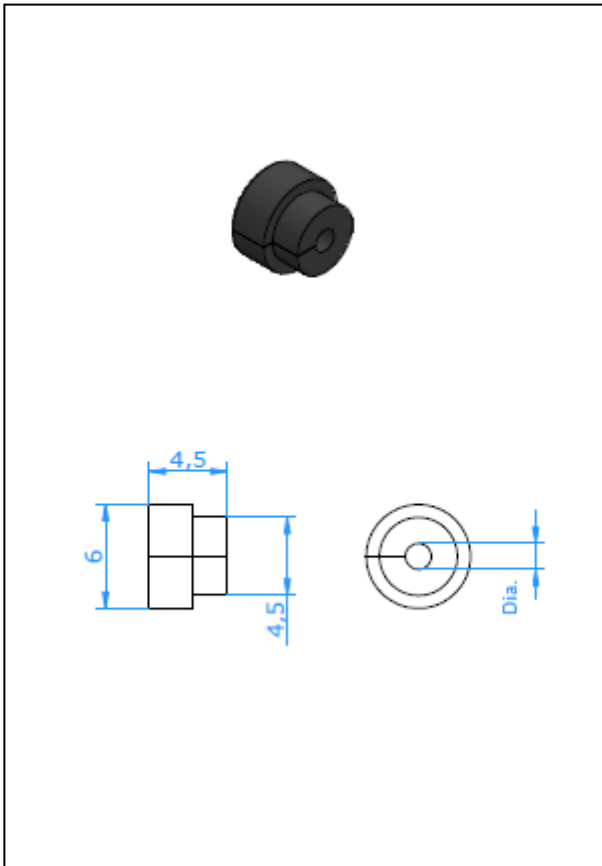
MJS-yx-x

Digit y is number of circuits (1 to 6). For digits 'x-x' see table below
E.g. : MJS-4K-I = Multiple Standard Jack 4 circuits type K green

| | | | | | | | | | |
|---------------------------|------------|------------|------------|------------|------------|------------|---------------|----------------|------------------|
| Calibration Code | E | J | K | N | T | U | R/S | C | B |
| Compensation material for | | | | | | | Pt13Rh/ Pt | W5Re/ W26Re | Pt6Rh/ Pt30Rh |
| Material Positive | NiCr | Fe | NiCr | NiCrSi | Cu | Cu | Cu | CPX | Cu |
| Material Negative | CuNi | CuNi | NiAl | NiSi | CuNi | Cu | Alloy #11 | CNX | Cu |
| IEC Colour Code | | | | | | | | | |
| Colour body | Violet | Black | Green | Pink | Brown | White | Orange | Red | Grey |
| Code | E-I | J-I | K-I | N-I | T-I | U-I | R-I | C-I | B-I |
| ANSI Colour Code | | | | | | | | | |
| Colour body | Violet | Black | Yellow | Orange | Blue | White | Green | Red | Grey |
| Code | E-I | J-I | K-A | N-A | T-A | U-I | R-A | C-I | B-I |
| DIN Colour Code | | | | | | | | | |
| Colour body | | Blue | Green | | Brown | | White | | Grey |
| Code | | J-D | K-I | | T-I | | R-D | | B-I |

Accessories

Miniature Connector Grommet



Application:

Grommet can be fitted in the entrance hole of the connector to prevent moisture and dirt from entering the connector. Has limited strain relief capabilities.

Construction:

Silicone ring slit for easy mounting over wire. Will compress on the wire when the cover is fitted.

Temperature rating:

200 °C Max.

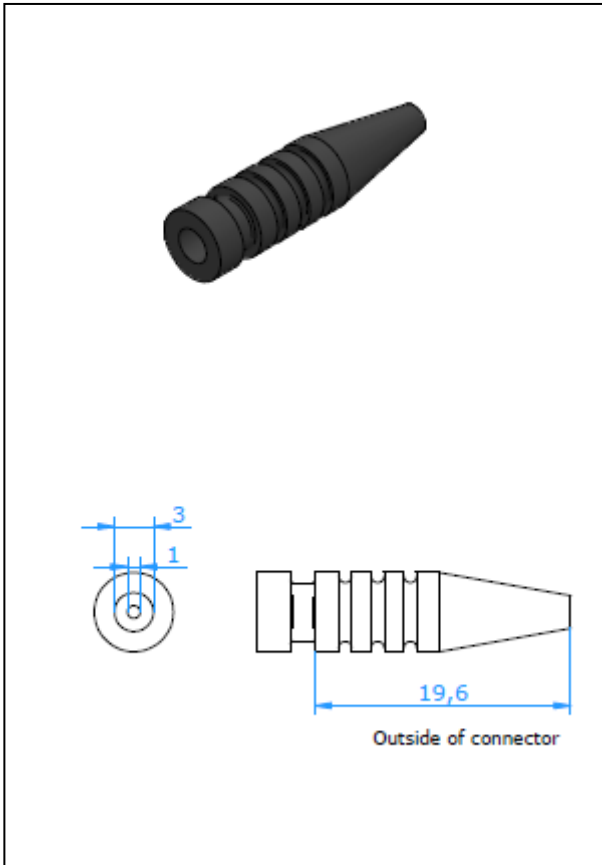
Type:

- A-20.031-1 for 3.00mmø diameter
- A-20.031-2 for 0.50mmø diameter
- A-20.031-3 for 1.50mmø diameter

Minimum order quantity : 100 pcs.

Accessories

Miniature Connector Bending Protection

**Application:**

Bending protection for thermocouples and wire being used with miniature connectors. Prevents mechanical damage of wires at entrance point of the connector.

Construction:

Silicon rubber insert, tapered entrance hole ensures proper sealing on cable.

Temperature rating:

200 °C Max.

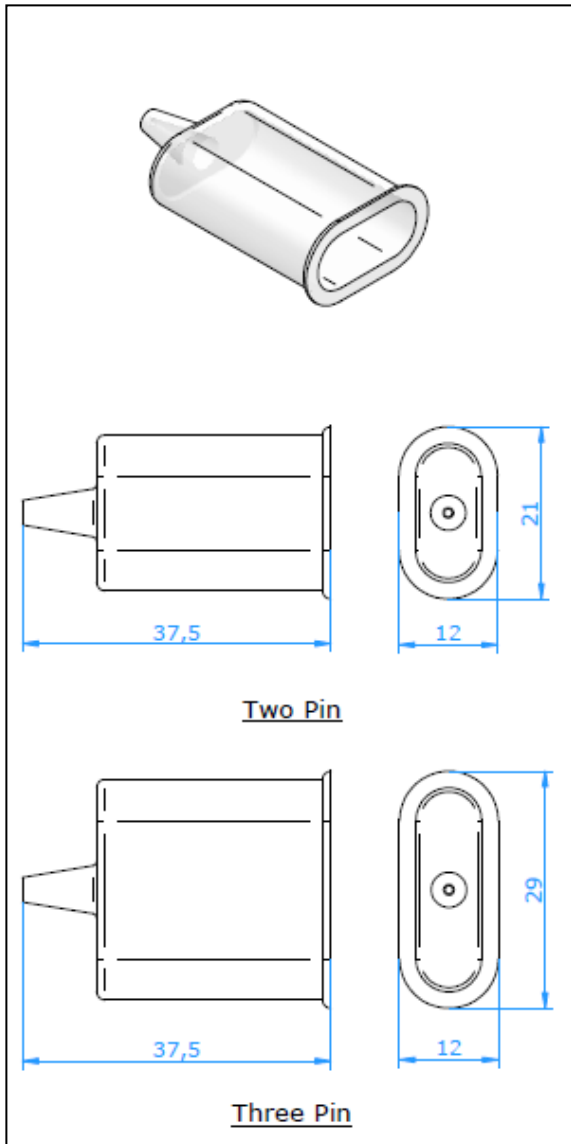
Type:

A-20.293

Minimum order quantity : 100 pcs.

Accessories

Miniature Connector Protection Boot



Application:

The two flexible silicone rubber boots will cover the connector set snugly and prevent moisture, water and dirt entering the connector.

Construction:

- Silicone cover with retention ring prevents disconnection due to vibration.
- Tapered entrance hole to ensure proper sealing on most cable diameters.

Temperature rating:

200 °C / 300 °C Max.

Type:

SS-M2 Two pin connector 200 °C Transparent
 SS-M3 Three pin connector 200 °C Transparent

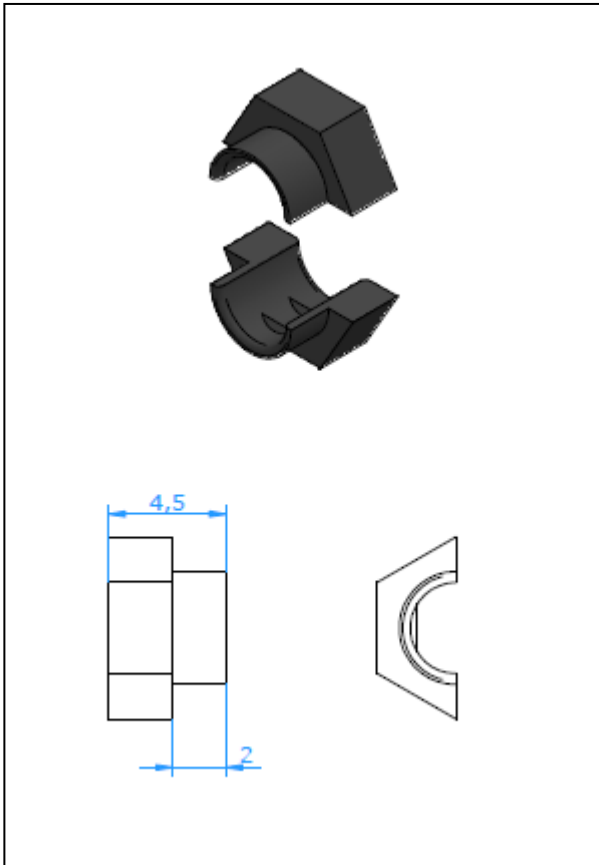
SS-MH Two pin connector 300 °C Black

Note: for one connector set order 2 pcs.

Minimum order quantity: 10 pcs.

Accessories

Miniature Connector Wire Insert



Application:

A set wire inserts fitted in the entrance hole of the connector will provide a very good strain relief without any protruding parts from the connector.

Construction:

Thermoplastic material with a round or oval hole to fit around a specific wire.

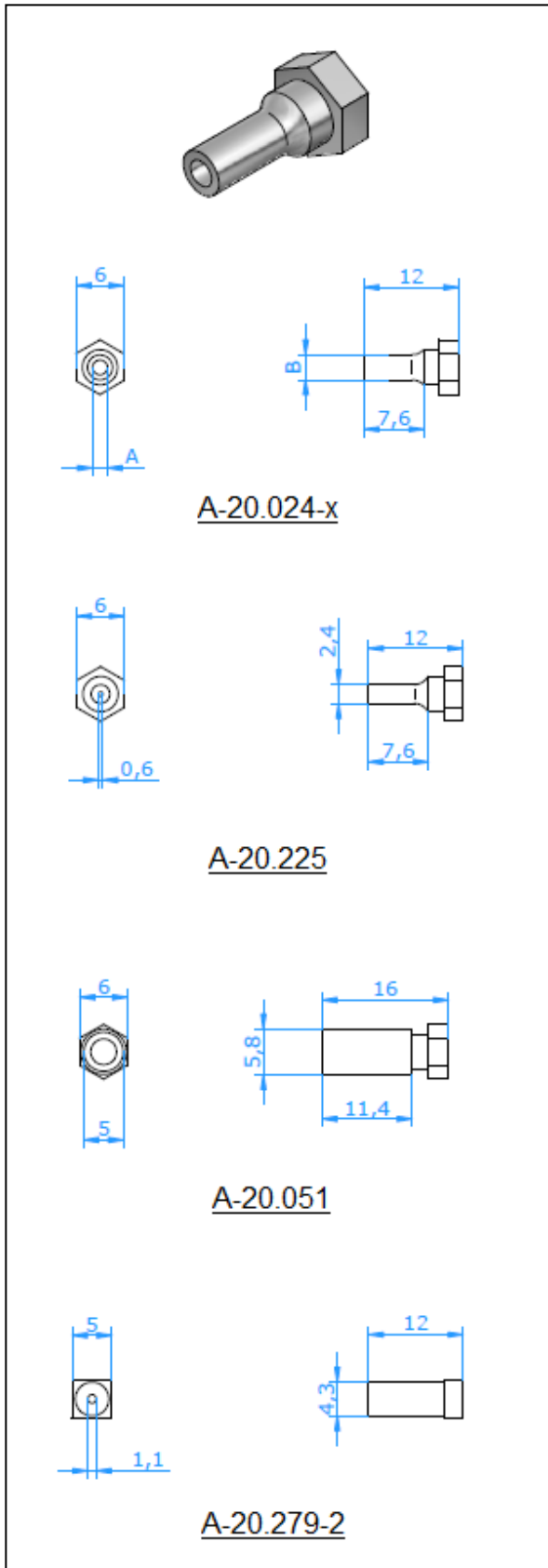
Type:

- A-20.075-1 Round, 1.5mm \varnothing diameter
- A-20.075-5 Round, 3.5mm \varnothing diameter
- A-20.075-24 Oval, 2.0x1.5mm \varnothing diameter

Minimum order quantity: 100 pcs

Accessories

Miniature Connector Crimp Insert



Application:

Designed for soldering or crimping on mineral insulated cable or crimping on insulated wire.

Construction:

Brass machined, nickel plated insert with 0,1 mm tolerance on the cable OD.

| Type | A | B |
|-------------|---------|---------|
| A-20.024-1 | 1.10 mm | 2.40 mm |
| A-20.024-2 | 1.60 mm | 2.40 mm |
| A-20.024-3 | 1.70 mm | 2.40 mm |
| A-20.024-4 | 2.10 mm | 3.20 mm |
| A-20.024-5 | 2.40 mm | 3.20 mm |
| A-20.024-6 | 3.10 mm | 4.50 mm |
| A-20.024-7 | 3.30 mm | 4.50 mm |
| A-20.024-8 | | 4.50 mm |
| A-20.024-9 | 3.90 mm | 4.50 mm |
| A-20.024-10 | 2.80 mm | 4.50 mm |
| A-20.024-11 | 2.70 mm | 4.50 mm |
| A-20.024-12 | 1.90 mm | 3.20 mm |
| A-20.024-13 | 3.50 mm | 4.50 mm |
| A-20.024-14 | 0.90 mm | 2.40 mm |
| A-20.024-15 | 3.80 mm | 4.50 mm |

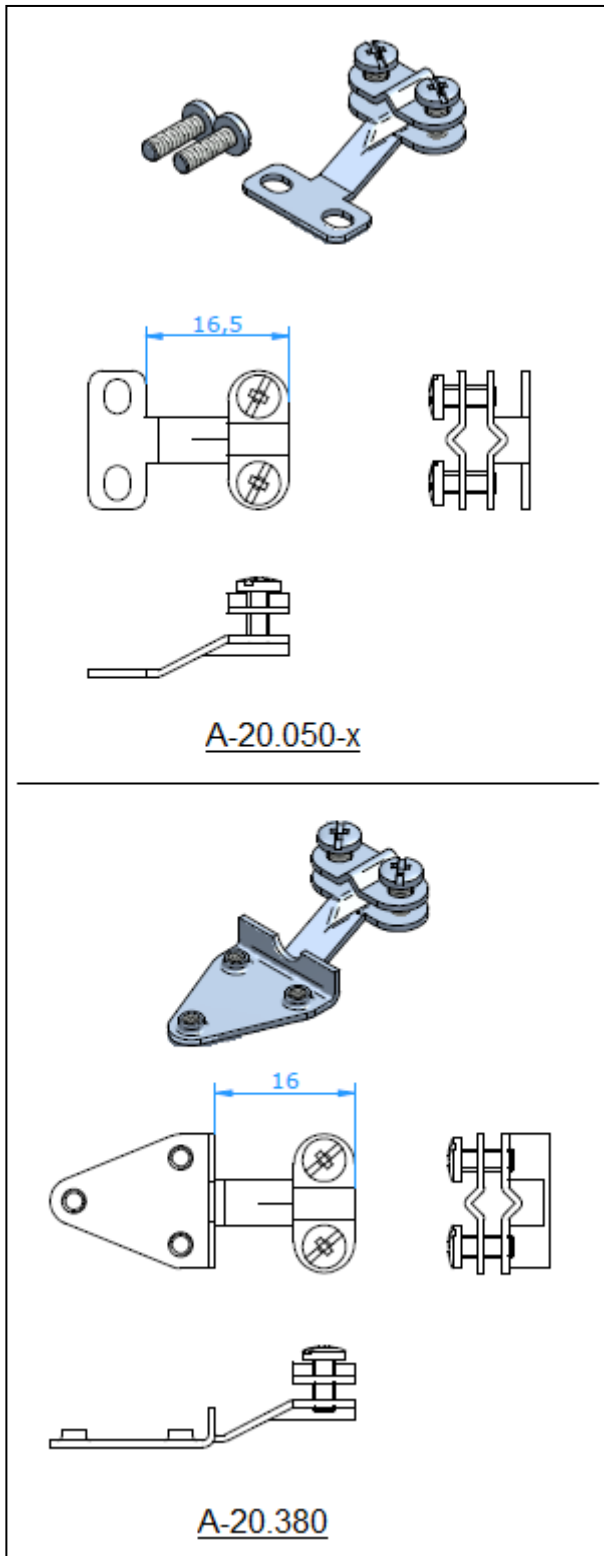
| Type | A | B |
|------------|---------|---------|
| A-20.225 | 0.60 mm | 2.40 mm |
| A-20.051 | 5.00 mm | 5.80 mm |
| A-20.279-2 | 1.10 mm | 4.30 mm |

Note: A-20.279-2 is for mini ceramic connectors only.

Minimum order quantity: 100pcs.

Accessories

Miniature Connector Wire Clamp Bracket



Application:

Wire clamp bracket will provide optimum strain relief. Construction allows a large difference in maximum and minimum wire diameter.

Construction:

All stainless steel, incl. stainless steel screws.

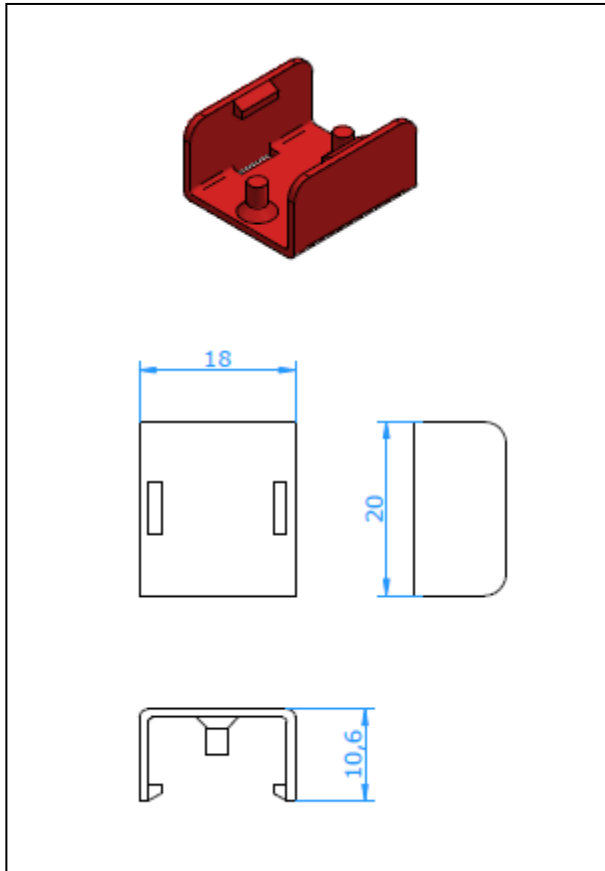
Type:

E-M for miniature connector
 E-MC for miniature connector ceramic
 E-MD for miniature connector duplex

E-MU for miniature connector ultra high temp

Accessories

Miniature Connector Locking Clip

**Application:**

Miniature connectors do not have a retention groove. In order to prevent accidental disconnection a locking clip can be used.

Construction:

- Glass filled thermoplastic with the same temperature rating as the connector body (200°C)
- Red colour indicates clearly that circuits are Protected
- Can be placed and removed without any tools.

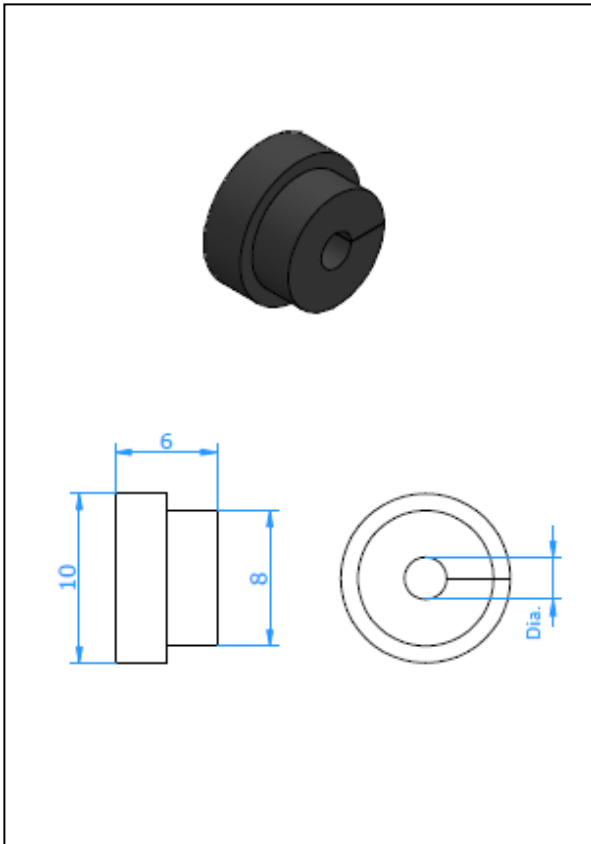
Type:

LP-mini

Minimum order quantity: 50pcs.

Accessories

Standard Connector Grommet



Application:

Grommet can be fitted in the entrance hole of the connector to prevent moisture and dirt from entering the connector. Has limited strain relief capabilities.

Construction:

Silicone ring slit for easy mounting over wire. Will compress on the wire when the cover is fitted.

Temperature rating:

200 °C Max.

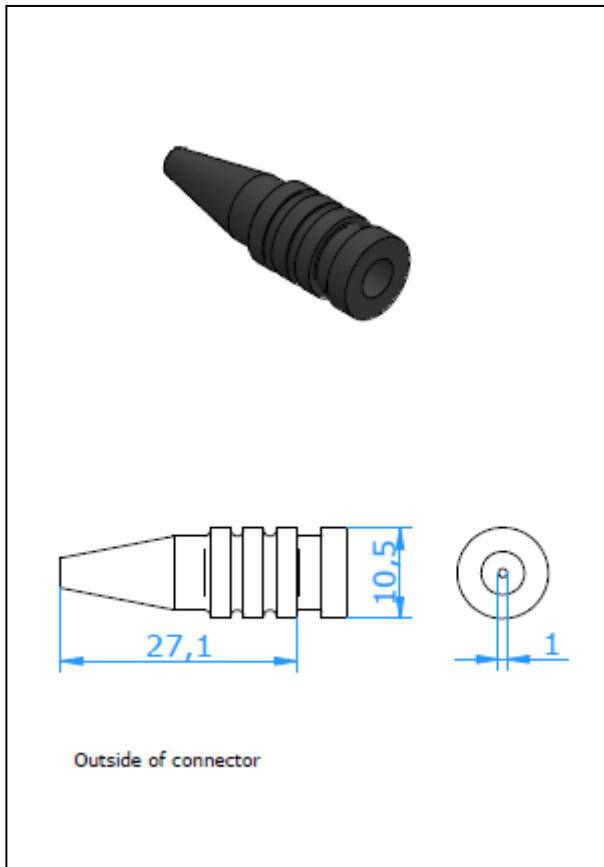
Type:

- A-20.048-1 for 2.50mmø diameter
- A-20.048-2 for 1.50mmø diameter
- A-20.048-3 for 4.50mmø diameter

Minimum order quantity : 100 pcs.

Accessories

Standard Connector Bending Protection

**Application:**

Bending protection for thermocouples and wire being used with standard connectors. Prevents mechanical damage of wires at entrance point of the connector.

Construction:

Silicon rubber insert, tapered entrance hole ensures proper sealing on cable. Fits in all standard connectors.

Temperature rating:

200 °C Max.

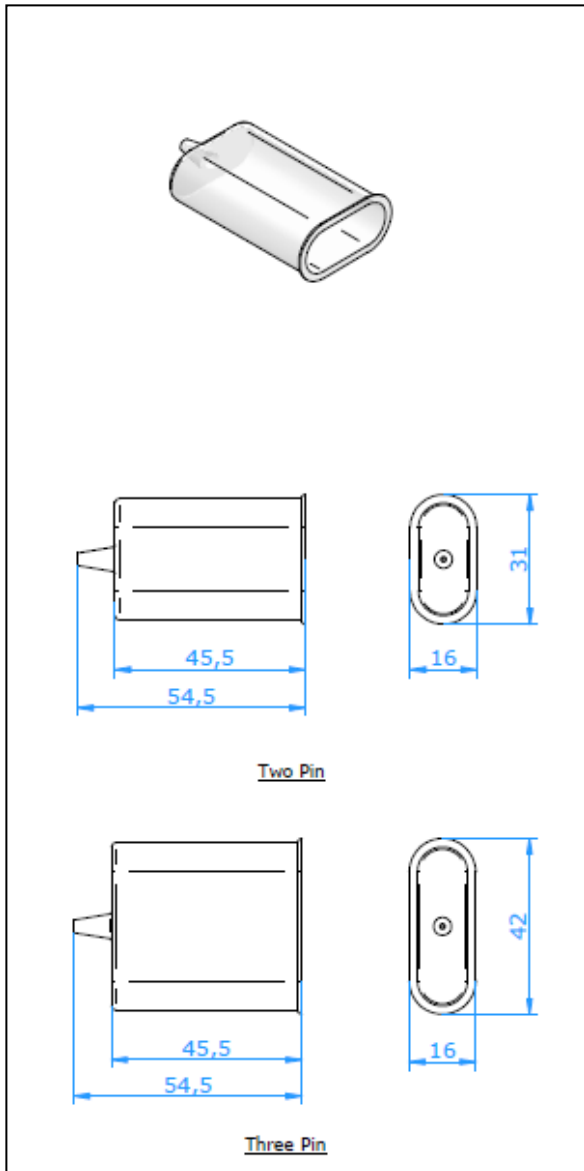
Type:

A-20.294

Minimum order quantity : 100 pcs.

Accessories

Standard Connector Protection Boot



Application:

The two flexible silicone rubber boots will cover the connector set snugly and prevent moisture, water and dirt entering the connector.

Construction:

- Silicone cover with retention ring prevents disconnection due to vibration.
- Tapered entrance hole to ensure proper sealing on most cable diameters.

Temperature rating:

200 °C Max.

Type:

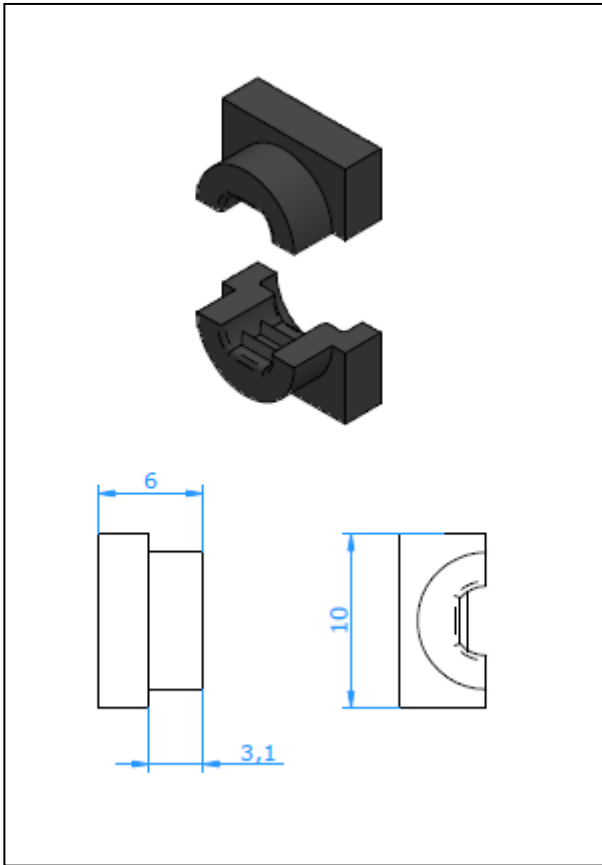
SS-S2 Two pin connector Transparent
 SS-S3 Three pin connector Transparent

Note: for one connector set order 2 pcs.

Minimum order quantity : 10 pcs.

Accessories

Standard Connector Wire Insert

**Application:**

A set wire inserts fitted in the entrance hole of the connector will provide a very good strain relief without any protruding parts from the connector.

Construction:

Thermoplastic material with a round or oval hole to fit around a specific wire.

Type:

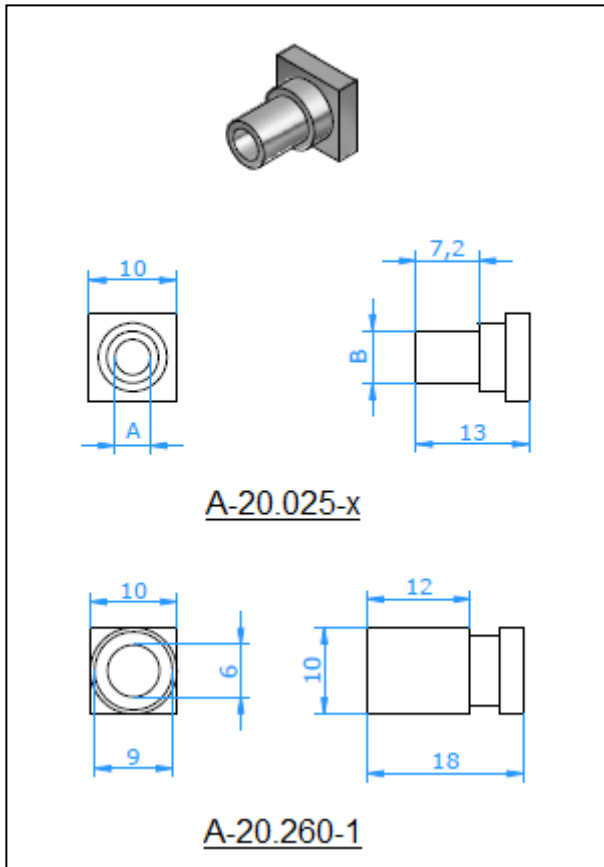
A-20.076-5 Round, 3.5mmø diameter

A-20.076-24 Round, 2.0x1.5mmø diameter

Minimum order quantity: 100 pcs.

Accessories

Standard Connector Crimp Insert



Application:

Crimp insert can be fitted in the entrance hole of the connector. Designed for soldering or crimping on mineral insulated cable or crimping on insulated wire.

Construction:

Brass machined insert with 0,1 mm tolerance on the cable OD. The adapter fits in all standard connectors.

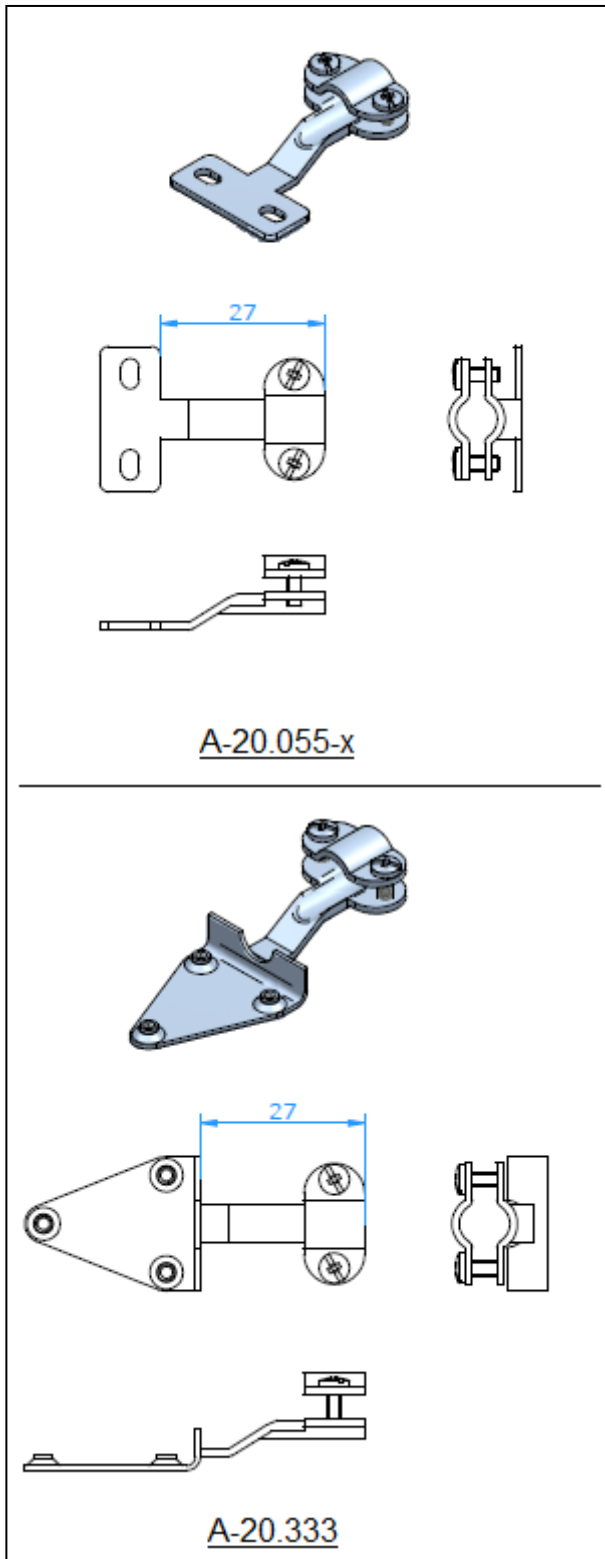
| Type | A | B |
|-------------|---------|---------|
| A-20.025-1 | 1.10 mm | 2.40 mm |
| A-20.025-2 | 1.60 mm | 2.40 mm |
| A-20.025-3 | 1.70 mm | 2.40 mm |
| A-20.025-4 | 2.10 mm | 3.20 mm |
| A-20.025-5 | 2.40 mm | 3.20 mm |
| A-20.025-6 | 3.10 mm | 4.30 mm |
| A-20.025-7 | 3.30 mm | 4.30 mm |
| A-20.025-8 | 4.60 mm | 6.00 mm |
| A-20.025-9 | 4.90 mm | 6.00 mm |
| A-20.025-10 | 6.10 mm | 7.90 mm |
| A-20.025-11 | 6.50 mm | 7.90 mm |
| A-20.025-12 | | 7.90 mm |
| A-20.025-13 | 5.60 mm | 6.50 mm |
| A-20.025-14 | 7.00 mm | 7.90 mm |
| A-20.025-15 | 0.90 mm | 2.40 mm |
| A-20.025-16 | 4.10 mm | 6.00 mm |

| Type | A | B |
|------------|---------|----------|
| A-20.260-1 | 9.00 mm | 10.00 mm |

Minimum order quantity: 100pcs.

Accessories

Standard Connector Wire Clamp Bracket



Application:

Wire clamp bracket will provide optimum strain relief. Construction allows a large difference in maximum and minimum wire diameter.

Construction:

All stainless steel, incl. stainless steel screws.

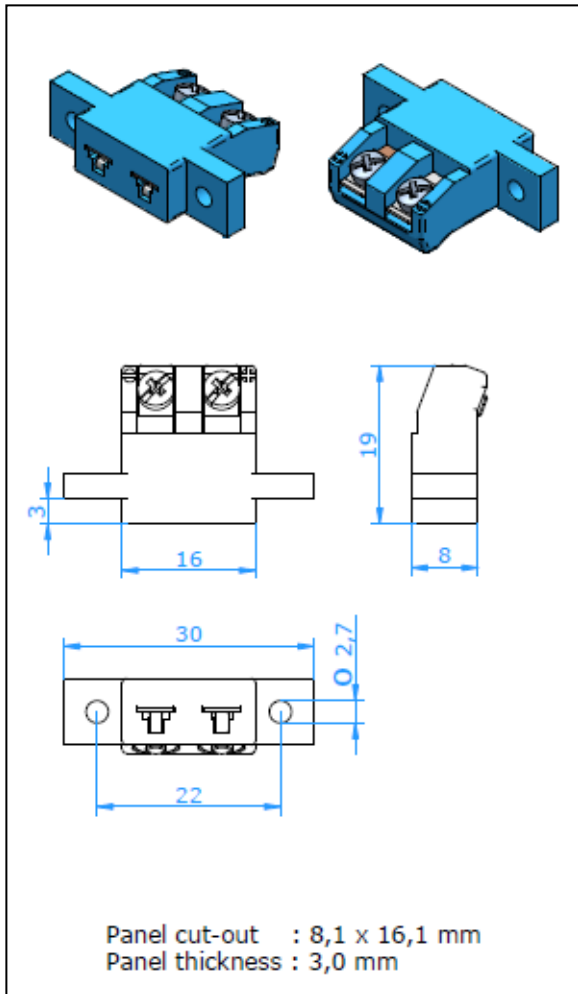
Type:

- E-S for standard connector
- E-SC for standard connector ceramic
- E-SD for standard connector duplex

- E-SU for standard connector ultra high temp

Panels

Panel Miniature Insert Lugged



Application:

Panel insert for thermocouple and RTD circuits. Can be mounted in a single circuit version or in rows in a customer panel. Mounting by means of two M2.5 screws.

Construction:

- Glass filled thermoplastic body with original thermocouple material pins and springloaded inserts.
- Polarized pins ensure proper connection.
- Easy wire connection through sandwich construction.
- Molded barriers prevent short circuit.
- Rugged one body design.
- Polarity indication on body.

Wire size:

- Accepts wires from up to 2.0 mm.

Temperature rating:

200 °C Max.

Colour Code:

Available in all colour code standards. incl. NFE, BS, JIS, etc.

Ordering Code

TK-xC-x

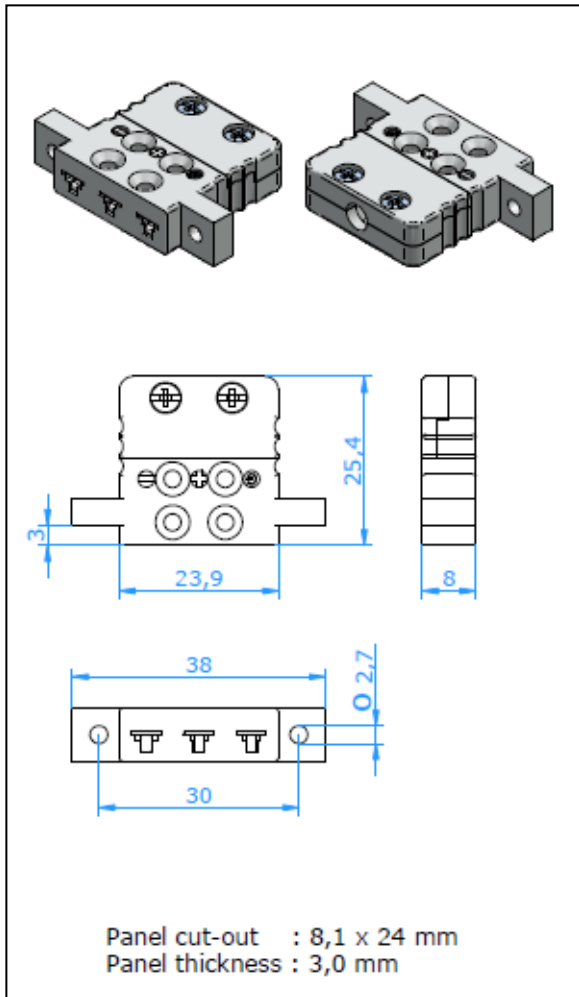
For digits 'xC-x' see table below

E.g. : TK-KC-I = Panel Insert Mini Lugged type K green

| Calibration Code | E | J | K | N | T | U | R/S | C | B |
|---------------------------|-------------|-------------|-------------|-------------|-------------|-------------|---------------|----------------|------------------|
| Compensation material for | | | | | | | Pt13Rh/ Pt | W5Re/ W26Re | Pt6Rh/ Pt30Rh |
| Material Positive | NiCr | Fe | NiCr | NiCrSi | Cu | Cu | Cu | CPX | Cu |
| Material Negative | CuNi | CuNi | NiAl | NiSi | CuNi | Cu | Alloy #11 | CNX | Cu |
| IEC Colour Code | | | | | | | | | |
| Colour body | Violet | Black | Green | Pink | Brown | White | Orange | Red | Grey |
| Code | EC-I | JC-I | KC-I | NC-I | TC-I | UC-I | RC-I | CC-I | BC-I |
| ANSI Colour Code | | | | | | | | | |
| Colour body | Violet | Black | Yellow | Orange | Blue | White | Green | Red | Grey |
| Code | EC-I | JC-I | KC-A | NC-A | TC-A | UC-I | RC-A | CC-I | BC-I |
| DIN Colour Code | | | | | | | | | |
| Colour body | | Blue | Green | | Brown | | White | | Grey |
| Code | | JC-D | KC-I | | TC-I | | RC-D | | BC-I |

Panels

Panel Miniature Insert Three Pin Lugged



Application:

Panel insert for thermocouple and RTD circuits. Suited for wires and mineral insulated cable. Third connection for ground or continuous shield or for three wire RTD's. Can be mounted in a single circuit version or in rows in a customer panel. Mounting by means of two M2.5 screws.

Construction:

- Glass filled thermoplastic body with original thermocouple material pins and springloaded inserts.
- Polarized pins ensure proper connection.
- Easy wire connection through sandwich construction.
- Molded barriers prevent short circuit.
- Rugged one body design.

Wire size:

- Accepts wires from up to 0.6 mm.
- Maximum cable diameter 4.5mm.

Temperature rating:

200 °C Max.

Colour Code:

Available in all colour code standards.
incl. NFE, BS, JIS, etc.

Accessories:

Most accessories for the miniature connectors can be fitted.
See separate specification sheet.
incl. NFE, BS, JIS, etc.

Ordering Code

TK-xC-x3

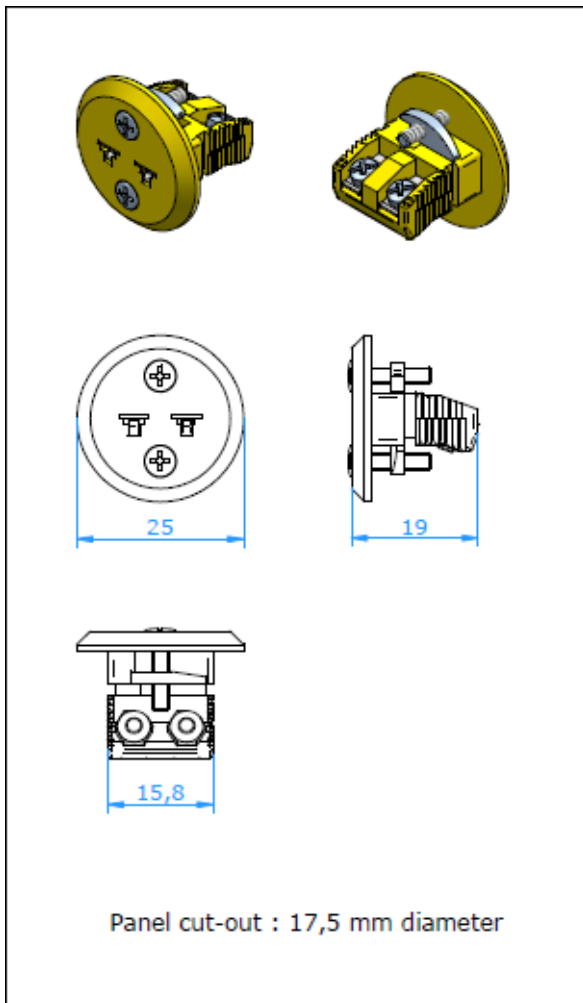
For digits 'xC-x' see table below

E.g. : TK-KC-I3 = Panel Insert Mini Lugged three pin type K green

| Calibration Code | E | J | K | N | T | U | R/S | C | B |
|---------------------------|-------------|-------------|-------------|-------------|-------------|-------------|---------------|----------------|------------------|
| Compensation material for | | | | | | | Pt13Rh/ Pt | W5Re/ W26Re | Pt6Rh/ Pt30Rh |
| Material Positive | NiCr | Fe | NiCr | NiCrSi | Cu | Cu | Cu | CPX | Cu |
| Material Negative | CuNi | CuNi | NiAl | NiSi | CuNi | Cu | Alloy #11 | CNX | Cu |
| IEC Colour Code | | | | | | | | | |
| Colour body | Violet | Black | Green | Pink | Brown | White | Orange | Red | Grey |
| Code | EC-I | JC-I | KC-I | NC-I | TC-I | UC-I | RC-I | CC-I | BC-I |
| ANSI Colour Code | | | | | | | | | |
| Colour body | Violet | Black | Yellow | Orange | Blue | White | Green | Red | Grey |
| Code | EC-I | JC-I | KC-A | NC-A | TC-A | UC-I | RC-A | CC-I | BC-I |
| DIN Colour Code | | | | | | | | | |
| Colour body | | Blue | Green | | Brown | | White | | Grey |
| Code | | JC-D | KC-I | | TC-I | | RC-D | | BC-I |

Panels

Panel Miniature Insert Round Direct Mount



Application:

Panel insert for thermocouple and RTD circuits. Mounted by means of two screws at the front.

Construction:

- Glass filled thermoplastic body with original thermocouple material pins and springloaded inserts.
- Polarized pins ensure proper connection.
- Easy wire connection through sandwich construction.
- Molded barriers prevent short circuit.
- Rugged one body design.
- Polarity indication on body.
- Stainless steel screws and brackets for front mounting.

Wire size:

- Accepts wires up to 2.0 mm.

Temperature rating:

200 °C Max.

Colour Code:

Available in all colour code standards.
incl. NFE, BS, JIS, etc.

Ordering Code

TK-xD-x

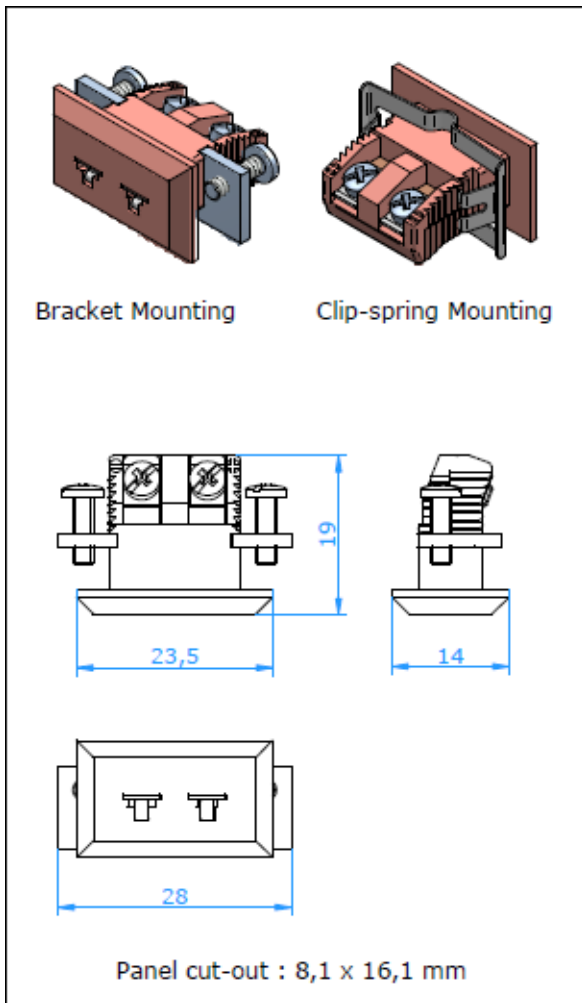
For digits 'xD-x' see table below

E.g. : TK-KD-I = Panel Insert Mini Round Direct Mount type K green

| Calibration Code | E | J | K | N | T | U | R/S | C | B |
|---------------------------|-------------|-------------|-------------|-------------|-------------|-------------|---------------|----------------|------------------|
| Compensation material for | | | | | | | Pt13Rh/ Pt | W5Re/ W26Re | Pt6Rh/ Pt30Rh |
| Material Positive | NiCr | Fe | NiCr | NiCrSi | Cu | Cu | Cu | CPX | Cu |
| Material Negative | CuNi | CuNi | NiAl | NiSi | CuNi | Cu | Alloy #11 | CNX | Cu |
| IEC Colour Code | | | | | | | | | |
| Colour body | Violet | Black | Green | Pink | Brown | White | Orange | Red | Grey |
| Code | ED-I | JD-I | KD-I | ND-I | TD-I | UD-I | RD-I | CD-I | BD-I |
| ANSI Colour Code | | | | | | | | | |
| Colour body | Violet | Black | Yellow | Orange | Blue | White | Green | Red | Grey |
| Code | ED-I | JD-I | KD-A | ND-A | TD-A | UD-I | RD-A | CD-I | BD-I |
| DIN Colour Code | | | | | | | | | |
| Colour body | | Blue | Green | | Brown | | White | | Grey |
| Code | | JD-D | KD-I | | TD-I | | RD-D | | BD-I |

Panels

Panel Miniature Insert Flanged



Application:

Panel insert for thermocouple and RTD circuits. Mounted by means of stainless steel clip spring.

Construction:

- Glass filled thermoplastic body with original thermocouple material pins and springloaded inserts.
- Polarized pins ensure proper connection.
- Easy wire connection through sandwich construction.
- Molded barriers prevent short circuit.
- Rugged one body design.
- Polarity indication on body.
- Stainless steel bracket and screws for rear panel mount.
- Stainless steel clip spring for rear panel mounting

Wire size:

- Accepts wires up to 2.0 mm.

Temperature rating:

200 °C Max.

Colour Code:

Available in all colour code standards.
incl. NFE, BS, JIS, etc.

Please specify bracket or clip spring mounting when order.

Ordering Code

TK-xF-x

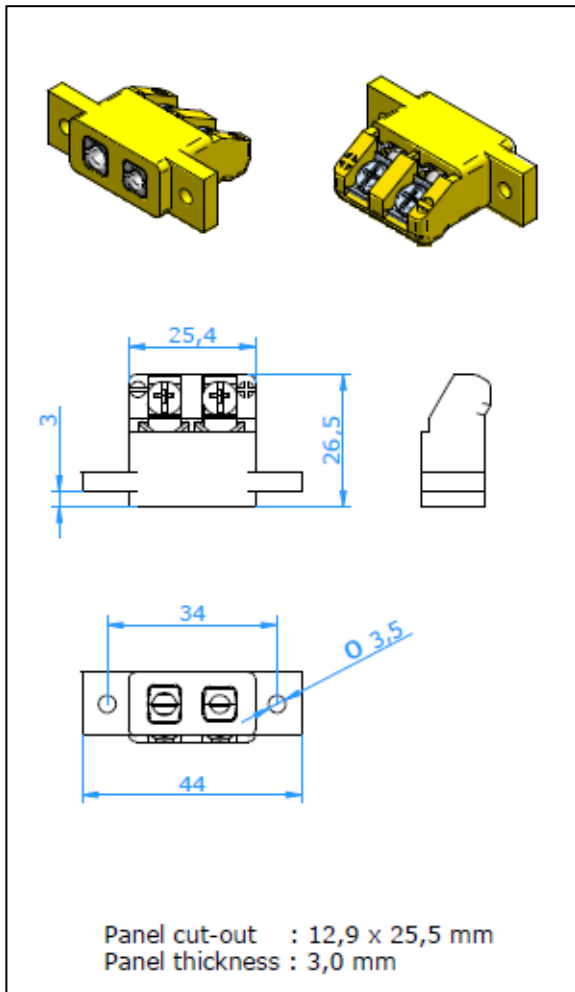
For digits 'xF-x' see table below

E.g. : TK-KF-I = Panel Insert Mini Flanged type K green

| Calibration Code | E | J | K | N | T | U | R/S | C | B |
|---------------------------|-------------|-------------|-------------|-------------|-------------|-------------|---------------|----------------|------------------|
| Compensation material for | | | | | | | Pt13Rh/ Pt | W5Re/ W26Re | Pt6Rh/ Pt30Rh |
| Material Positive | NiCr | Fe | NiCr | NiCrSi | Cu | Cu | Cu | CPX | Cu |
| Material Negative | CuNi | CuNi | NiAl | NiSi | CuNi | Cu | Alloy #11 | CNX | Cu |
| IEC Colour Code | | | | | | | | | |
| Colour body | Violet | Black | Green | Pink | Brown | White | Orange | Red | Grey |
| Code | EF-I | JF-I | KF-I | NF-I | TF-I | UF-I | RF-I | CF-I | BF-I |
| ANSI Colour Code | | | | | | | | | |
| Colour body | Violet | Black | Yellow | Orange | Blue | White | Green | Red | Grey |
| Code | EF-I | JF-I | KF-A | NF-A | TF-A | UF-I | RF-A | CF-I | BF-I |
| DIN Colour Code | | | | | | | | | |
| Colour body | | Blue | Green | | Brown | | White | | Grey |
| Code | | JF-D | KF-I | | TF-I | | RF-D | | BF-I |

Panels

Panel Standard Insert Lugged



Application:

Panel insert for thermocouple and RTD circuits. Can be mounted in a single circuit version or in rows in a customer panel. Mounting by means of two M3 screws.

Construction:

- Glass filled thermoplastic body with original thermocouple material pins and springloaded inserts.
- Polarized pins ensure proper connection.
- Molded barriers prevent short circuit.
- Polarity indication next to connection screws.

Wire size:

- Accepts wires from up to 3.0 mm.

Temperature rating:

200 °C Max.

Colour Code:

Available in all colour code standards. incl. NFE, BS, JIS, etc.

Ordering Code

TK-xB-x

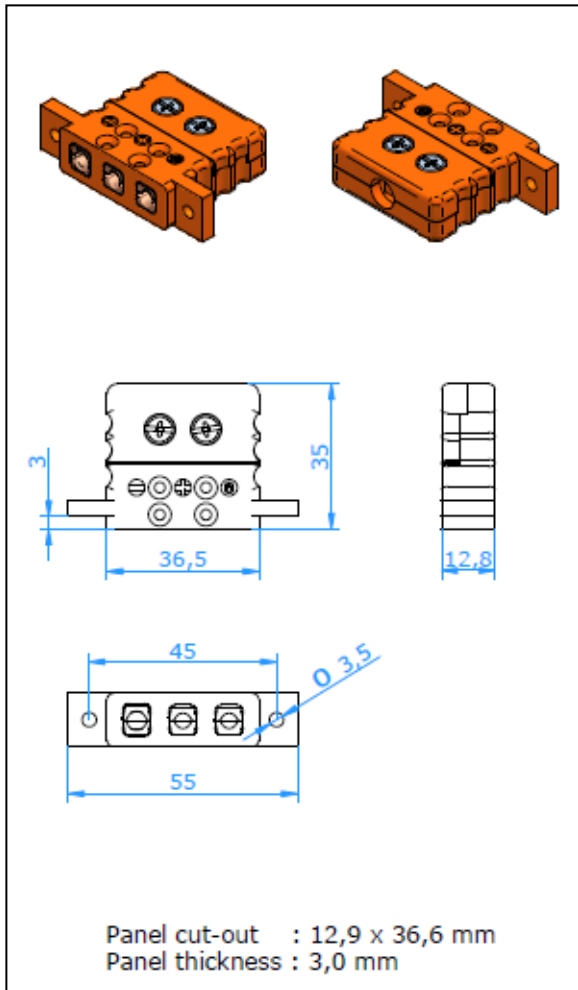
For digits 'xB-x' see table below

E.g. : TK-KB-I = Panel Insert Standard Lugged type K green

| Calibration Code | E | J | K | N | T | U | R/S | C | B |
|---------------------------|-------------|-------------|-------------|-------------|-------------|-------------|---------------|----------------|------------------|
| Compensation material for | | | | | | | Pt13Rh/ Pt | W5Re/ W26Re | Pt6Rh/ Pt30Rh |
| Material Positive | NiCr | Fe | NiCr | NiCrSi | Cu | Cu | Cu | CPX | Cu |
| Material Negative | CuNi | CuNi | NiAl | NiSi | CuNi | Cu | Alloy #11 | CNX | Cu |
| IEC Colour Code | | | | | | | | | |
| Colour body | Violet | Black | Green | Pink | Brown | White | Orange | Red | Grey |
| Code | EB-I | JB-I | KB-I | NB-I | TB-I | UB-I | RB-I | CB-I | BB-I |
| ANSI Colour Code | | | | | | | | | |
| Colour body | Violet | Black | Yellow | Orange | Blue | White | Green | Red | Grey |
| Code | EB-I | JB-I | KB-A | NB-A | TB-A | UB-I | RB-A | CB-I | BB-I |
| DIN Colour Code | | | | | | | | | |
| Colour body | | Blue | Green | | Brown | | White | | Grey |
| Code | | JB-D | KB-I | | TB-I | | RB-D | | BB-I |

Panels

Panel Standard Insert Three Pin Lugged



Application:

Panel insert for thermocouple and RTD circuits. Third connection for ground or continuous shield or for three wire RTD's. Can be mounted in a single circuit version or in rows in a customer panel. Mounting by means of two M3 screws.

Construction:

- Glass filled thermoplastic body with original thermocouple material pins and springloaded inserts.
- Polarized pins ensure proper connection.
- Central cover screw design for quick wiring.
- Molded barriers prevent short circuit.
- Captive cover screw for easy assembly.

Wire size:

- Accepts wires from up to 2.0 mm.
- Maximum cable diameter 8.0mm

Temperature rating:

200 °C Max.

Colour Code:

Available in all colour code standards. incl. NFE, BS, JIS, etc.

Accessories:

Most accessories for the standard connectors can be fitted. See separate specification sheet.

Ordering Code

TK-xB-x3

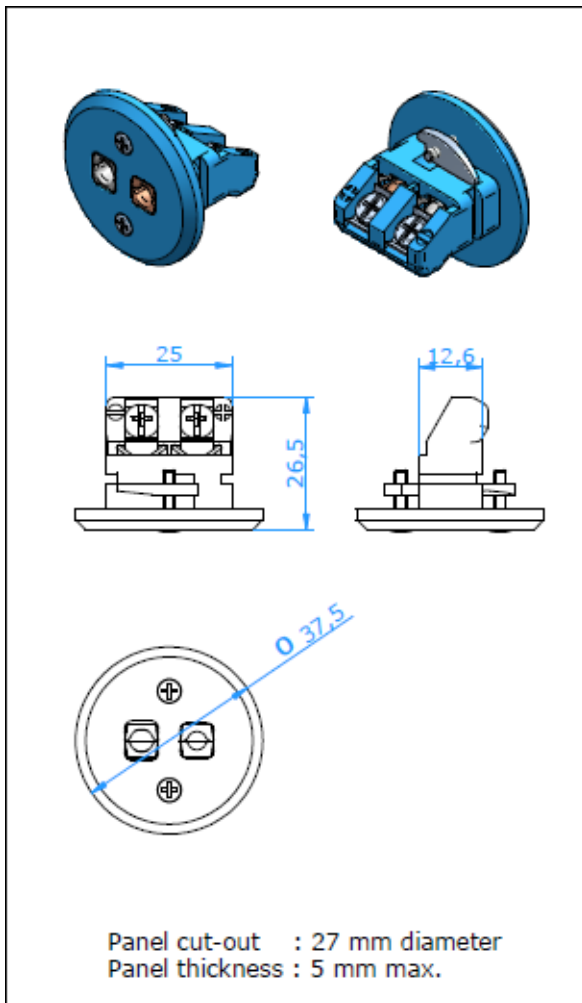
For digits 'xB-x' see table below

E.g. : TK-KB-I3 = Panel Standard Insert Three Pin Lugged type K green

| Calibration Code | E | J | K | N | T | U | R/S | C | B |
|---------------------------|-------------|-------------|-------------|-------------|-------------|-------------|---------------|----------------|------------------|
| Compensation material for | | | | | | | Pt13Rh/ Pt | W5Re/ W26Re | Pt6Rh/ Pt30Rh |
| Material Positive | NiCr | Fe | NiCr | NiCrSi | Cu | Cu | Cu | CPX | Cu |
| Material Negative | CuNi | CuNi | NiAl | NiSi | CuNi | Cu | Alloy #11 | CNX | Cu |
| IEC Colour Code | | | | | | | | | |
| Colour body | Violet | Black | Green | Pink | Brown | White | Orange | Red | Grey |
| Code | EB-I | JB-I | KB-I | NB-I | TB-I | UB-I | RB-I | CB-I | BB-I |
| ANSI Colour Code | | | | | | | | | |
| Colour body | Violet | Black | Yellow | Orange | Blue | White | Green | Red | Grey |
| Code | EB-I | JB-I | KB-A | NB-A | TB-A | UB-I | RB-A | CB-I | BB-I |
| DIN Colour Code | | | | | | | | | |
| Colour body | | Blue | Green | | Brown | | White | | Grey |
| Code | | JB-D | KB-I | | TB-I | | RB-D | | BB-I |

Panels

Panel Standard Insert Round Direct Mount



Application:

Panel insert for thermocouple and RTD circuits. Mounted by means of two screws at the front.

Construction:

- Glass filled thermoplastic body with original thermocouple material pins and springloaded inserts.
- Polarized pins ensure proper connection.
- Easy wire connection through sandwich construction.
- Molded barriers prevent short circuit.
- Rugged one body design.
- Polarity indication on body.
- Stainless steel screws and brackets for front mounting.

Wire size:

- Accepts wires up to 3.0 mm.

Temperature rating:

200 °C Max.

Colour Code:

Available in all colour code standards. incl. NFE, BS, JIS, etc.

Ordering Code

TK-xA-x

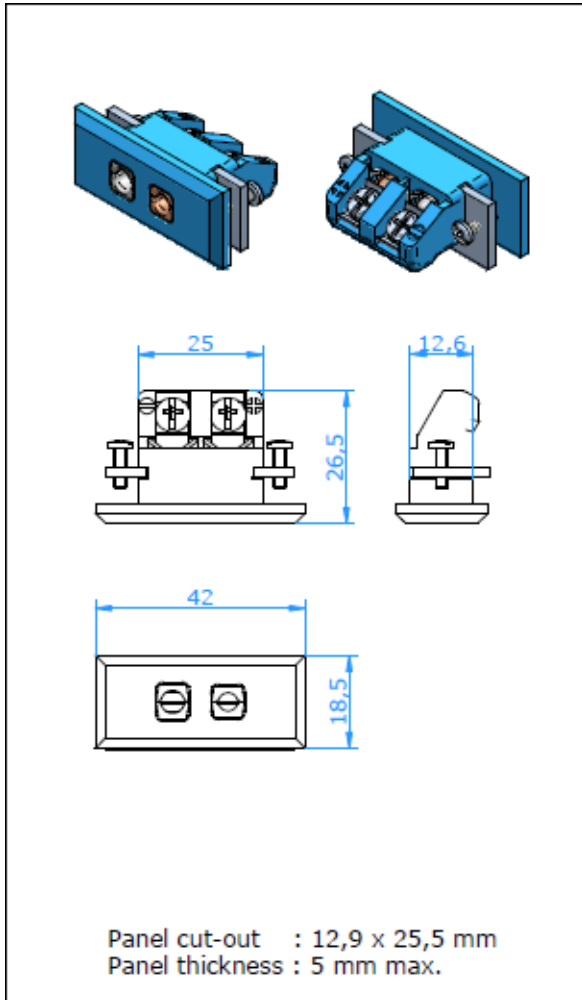
For digits 'xA-x' see table below

E.g. : TK-KA-I = Panel Insert Standard Round Direct type K green

| | E | J | K | N | T | U | R/S | C | B |
|--|-------------|-------------|-------------|-------------|-------------|-------------|---------------|----------------|------------------|
| Calibration Code Compensation material for | | | | | | | Pt13Rh/ Pt | W5Re/ W26Re | Pt6Rh/ Pt30Rh |
| Material Positive | NiCr | Fe | NiCr | NiCrSi | Cu | Cu | Cu | CPX | Cu |
| Material Negative | CuNi | CuNi | NiAl | NiSi | CuNi | Cu | Alloy #11 | CNX | Cu |
| IEC Colour Code | | | | | | | | | |
| Colour body | Violet | Black | Green | Pink | Brown | White | Orange | Red | Grey |
| Code | EA-I | JA-I | KA-I | NA-I | TA-I | UA-I | RA-I | CA-I | BA-I |
| ANSI Colour Code | | | | | | | | | |
| Colour body | Violet | Black | Yellow | Orange | Blue | White | Green | Red | Grey |
| Code | EA-I | JA-I | KA-A | NA-A | TA-A | UA-I | RA-A | CA-I | BA-I |
| DIN Colour Code | | | | | | | | | |
| Colour body | | Blue | Green | | Brown | | White | | Grey |
| Code | | JA-D | KA-I | | TA-I | | RA-D | | BA-I |

Panels

Panel Standard Insert Flanged



Application:

Panel insert for thermocouple and RTD circuits. Mounted by means of stainless steel bracket and two screws.

Construction:

- Glass filled thermoplastic body with original thermocouple material pins and springloaded inserts.
- Polarized pins ensure proper connection.
- Easy wire connection through sandwich construction.
- Molded barriers prevent short circuit.
- Rugged one body design.
- Polarity indication on body.
- Stainless steel bracket and screws for rear panel mount (also available with metal clip spring).

Wire size:

- Accepts wires up to 2.0 mm.

Temperature rating:

200 °C Max.

Colour Code:

Available in all colour code standards. incl. NFE, BS, JIS, etc.

Please specify bracket or clip spring mounting when order.

Ordering Code

TK-xI-x

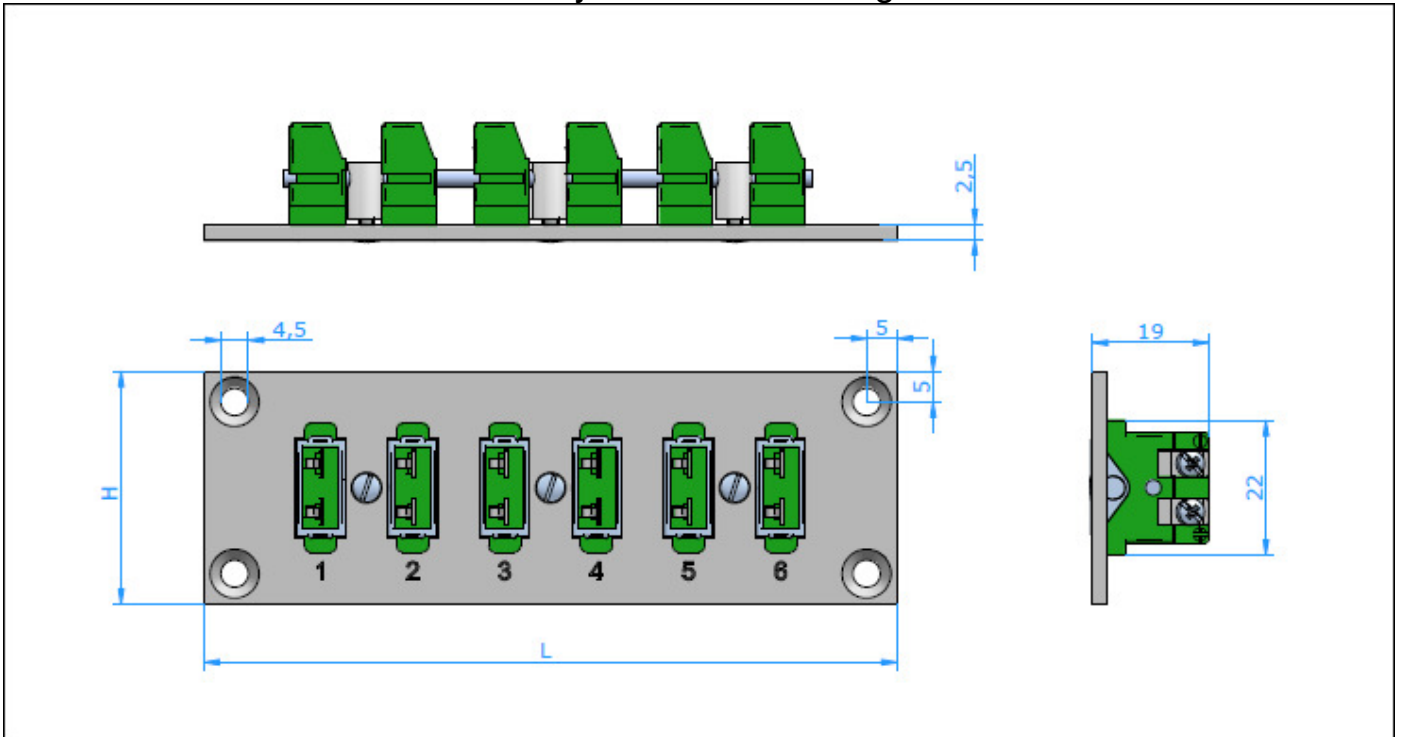
For digits 'xI-x' see table below

E.g. : TK-KI-I = Panel Insert Standard Flanged type K green

| Calibration Code | E | J | K | N | T | U | R/S | C | B |
|---------------------------|------------|-------------|-------------|-------------|-------------|-------------|---------------|----------------|------------------|
| Compensation material for | | | | | | | Pt13Rh/ Pt | W5Re/ W26Re | Pt6Rh/ Pt30Rh |
| Material Positive | NiCr | Fe | NiCr | NiCrSi | Cu | Cu | Cu | CPX | Cu |
| Material Negative | CuNi | CuNi | NiAl | NiSi | CuNi | Cu | Alloy #11 | CNX | Cu |
| IEC Colour Code | | | | | | | | | |
| Colour body | Violet | Black | Green | Pink | Brown | White | Orange | Red | Grey |
| Code | E-I | J-I | K-I | N-I | T-I | U-I | R-I | C-I | B-I |
| ANSI Colour Code | | | | | | | | | |
| Colour body | Violet | Black | Yellow | Orange | Blue | White | Green | Red | Grey |
| Code | E-I | J-I | KI-A | NI-A | TI-A | UI-I | RI-A | CI-I | BI-I |
| DIN Colour Code | | | | | | | | | |
| Colour body | | Blue | Green | | Brown | | White | | Grey |
| Code | | JI-D | KI-I | | TI-I | | RI-D | | BI-I |

Panels

Panel Assembly Miniature Locking Horizontal



Application:

Panel assembly for thermocouple and RTD circuits for mounting in control rooms, test stands, laboratory applications, pilot plants etc. When used together with the locking connector, the locking feature will prevent accidental disconnection due to vibration etc.

Wire size:

Accepts wires from up to 2.0 mm.

Construction:

This panel consists of the horizontal panel set with the miniature panel inserts TK-xL-x. For further details see separate specification sheets.

Temperature rating:

200 °C Max.

Ordering Code

BML-20.052-xy z x = number of circuits
y = calibration
z = colour

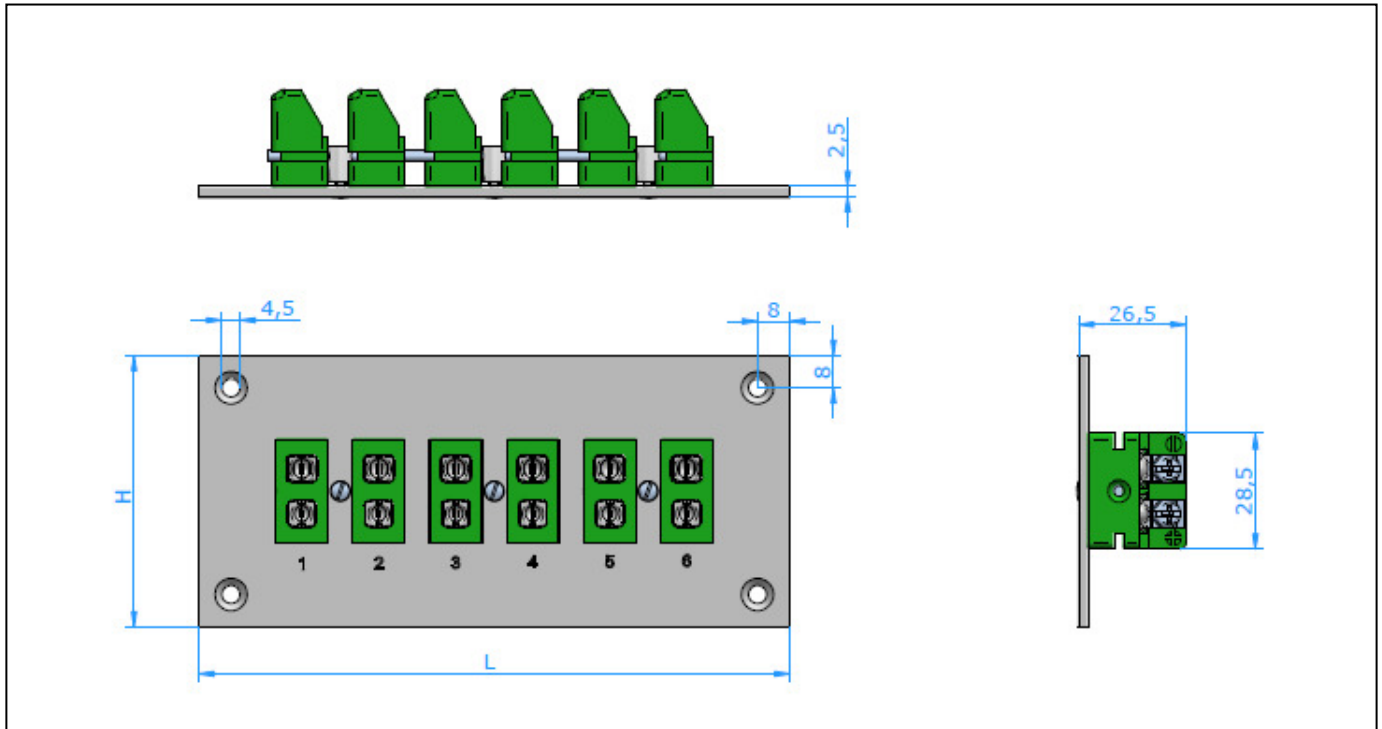
1, 2, 3, 4, 5, 6, 8, 12, 18, 24
E, J, K, N, T, U, R/S, C, B

E.g. : BML-20.052-6K green = Panel Assembly Mini Locking 6 circuits type K green horizontal

| Circuits | Rows | Panel dimension (L x H in mm) | Dimension panel cut-out (in mm) |
|----------|------|-------------------------------|---------------------------------|
| 1 | 1 | 38 x 38 | 23 Ø |
| 2 | 1 | 53 x 38 | 30 x 22 |
| 3 | 1 | 76 x 38 | 53 x 22 |
| 4 | 1 | 83 x 38 | 60 x 22 |
| 5 | 1 | 98 x 38 | 75 x 22 |
| 6 | 1 | 113 x 38 | 90 x 22 |
| 8 | 1 | 143 x 38 | 120 x 22 |
| 12 | 1 | 203 x 38 | 180 x 22 |
| 18 | 1 | 293 x 38 | 270 x 22 |
| 24 | 2 | 203 x 76 | 180 x 60 |

Panels

Panel Assembly Standard Horizontal



Application:

Panel assembly for thermocouple and RTD circuits for mounting in control rooms, test stands, laboratory applications, pilot plants etc.

Construction:

This panel consists of the horizontal panel set with the standard panel inserts PSI-x-x. For further details see separate specification sheets.

Wire size:

- Accepts wires from up to 3.0 mm.

Temperature rating:

200 °C Max.

Ordering Code **BM-20.059-xy z** x = number of circuits
y = calibration
z = colour

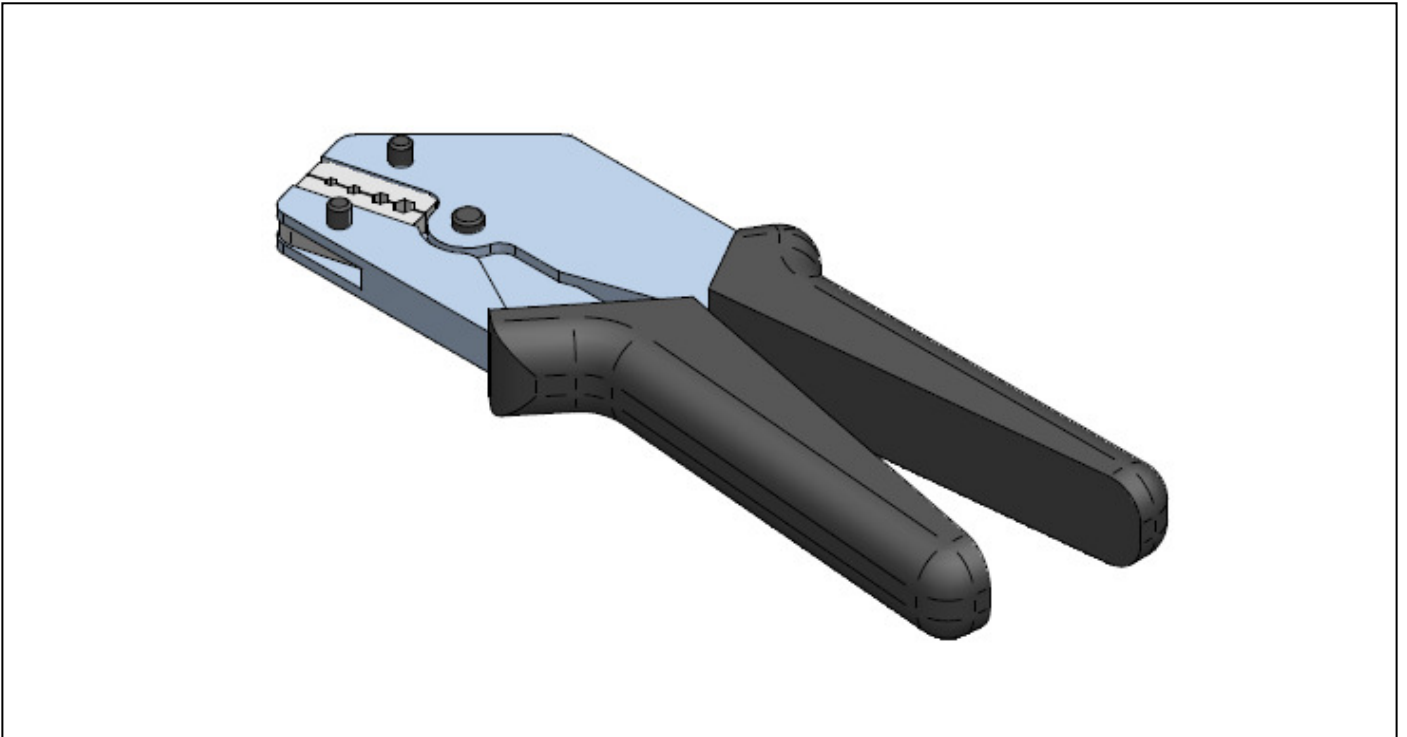
1, 2, 3, 4, 5, 6, 8, 12, 18, 24
E, J, K, N, T, U, R/S, C, B

E.g. : BM-20.059-6K green = Panel Assembly Standard 6 circuits type K green horizontal

| Circuits | Rows | Panel dimension (L x H in mm) | Dimension panel cut-out (in mm) |
|----------|------|-------------------------------|---------------------------------|
| 1 | 1 | 38 x 38 | 31 Ø |
| 2 | 1 | 70 x 67 | 40 x 40 |
| 3 | 1 | 89 x 67 | 49 x 40 |
| 4 | 1 | 108 x 67 | 78 x 40 |
| 5 | 1 | 127 x 67 | 97 x 40 |
| 6 | 1 | 146 x 67 | 116 x 40 |
| 8 | 1 | 184 x 67 | 154 x 40 |
| 12 | 1 | 260 x 67 | 230 x 40 |
| 18 | 1 | 374 x 67 | 344 x 40 |
| 24 | 2 | 260 x 115 | 230 x 88 |

Tooling

Crimp Tool

**Application:**

Crimp Tool to be used for crimp inserts. Suitable for 2.3 – 3.3 – 4.3 – 5.0 mm

Dimension:

230 mm x 65 mm

Construction:

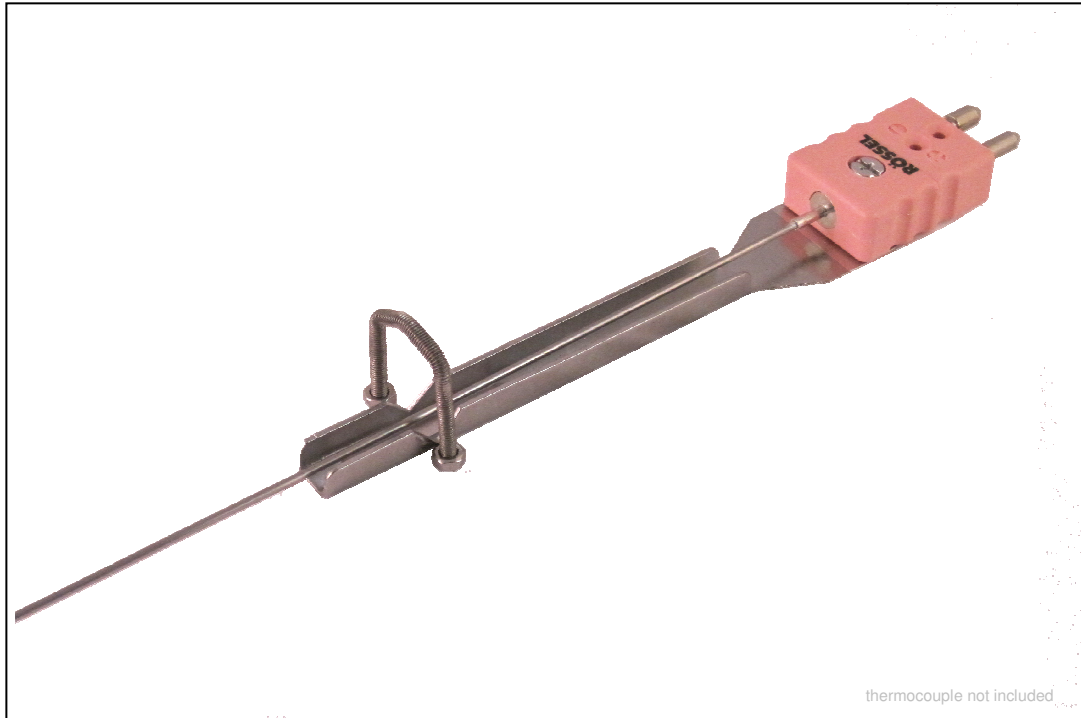
Hardened steel tool with plastic handgrip.

Ordering code:

- A-20.240 Crimp Tool including Jaw set

Miscellaneous

Mounting flag for piping

**Application:**

To be used for mounting thermocouples on piping tubes.
Mounting by means of U-shaped rod and two M2.5 nuts.

Construction:

Stainless steel flag. Cut out for thermocouple connector mounting. Applicable for tube diameters 16mmø or 25mmø.

Consists of:

- 1x Flag
- 1x U-shaped threaded rod
- 2x M2.5 nuts
- 2x M2.5 screws

Ordering code:

- BV-16mm for 16 mm
- BV- 25mm for 25 mm

Minimum order quantity : 5 pcs.

Miscellaneous

Fiberglass Tape

**Application:**

To be used for sealing, temporary protection during sandblasting, heat tracing, masking, protection during the plasma spray process, etc.

Construction:

White coloured single sided tape, consists of a glass-woven carrier, are available in 2 different dimensions.

The tapes are constructed from a rubber adhesive with no liner.

Temperature Rating:

180°C Max.

Dimension:

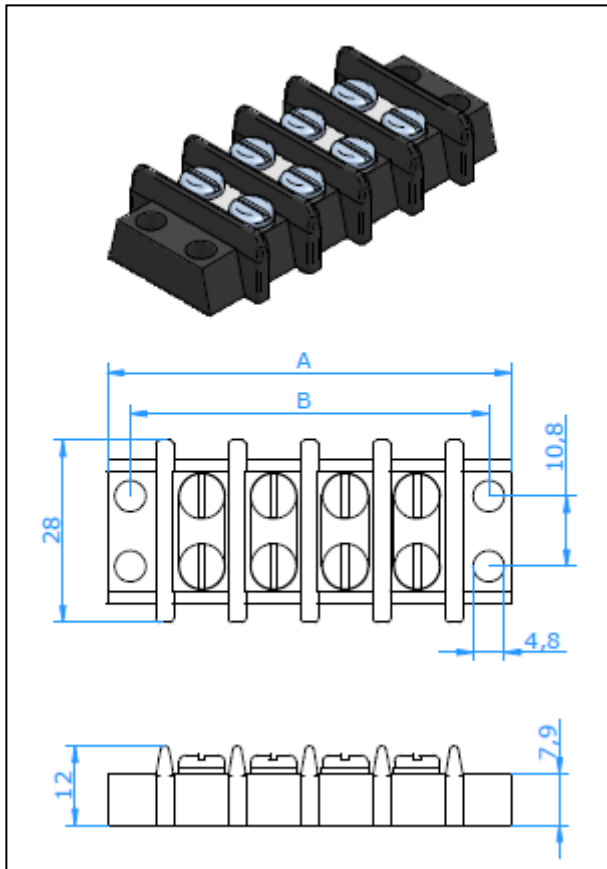
15 mm x 30 m or
19 mm x 30 m

Ordering code:

- R603418/15 180°C for 15 mm
- R603418/19 180°C for 19 mm

Miscellaneous

Barrier Terminal Block



Application:

Terminal blocks designed for use in terminal boxes and behind panels for connection of thermocouple and RTD circuits.

Construction:

- Glass filled nylon body
- Barrier between each terminal prevents accidental short circuit.
- Captive nuts for easy wiring
- Available in large number of circuits.
- Can be used with the terminal lugs series A-20.131-x and A-20.132-x.

Wire size:

- Accepts wires up to 2.0 mm.
- Maximum cable diameter 8.0 mm.

Temperature rating:

5. 200 °C Max.

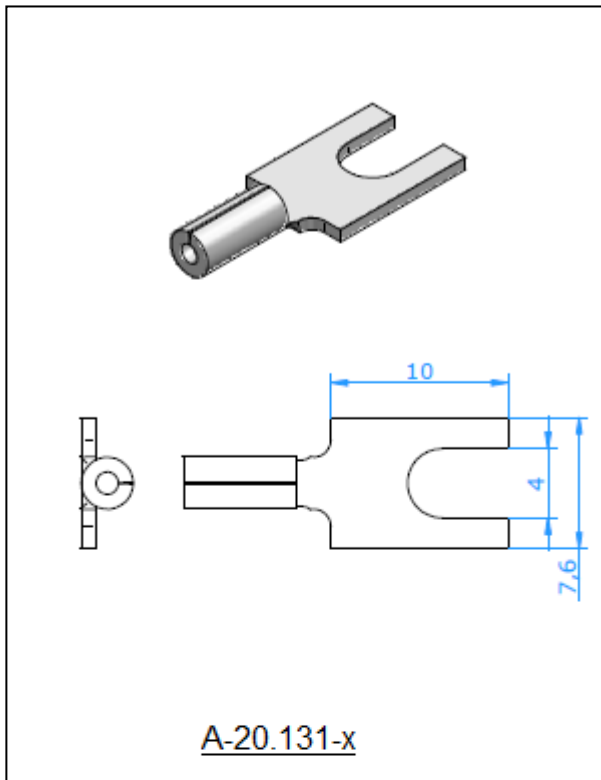
Accessories:

6. Body colour black. Terminal strips stamped with material identification.

| Calibration Code | J | K | T | E | R/S | U | N | | |
|---------------------------|-----------------|------|---------------|----------|-----------|----------|----------|----------|----------|
| Contact Material Positive | Fe | NiCr | Cu | NiCr | Cu | Cu | NiCrSi | | |
| Contact Material Negative | CuNi | NiAl | CuNi | CuNi | Alloy #11 | Cu | NiSi | | |
| Circuits | Dimensions (mm) | | Ordering code | | | | | | |
| | A | B | | | | | | | |
| 1 | 41 | 33 | BTB-1-J | BTB-1-K | BTB-1-T | BTB-1-E | BTB-1-R | BTB-1-U | BTB-1-N |
| 2 | 52 | 44 | BTB-2-J | BTB-2-K | BTB-2-T | BTB-2-E | BTB-2-R | BTB-2-U | BTB-2-N |
| 3 | 86 | 78 | BTB-3-J | BTB-3-K | BTB-3-T | BTB-3-E | BTB-3-R | BTB-3-U | BTB-3-N |
| 4 | 108 | 100 | BTB-4-J | BTB-4-K | BTB-4-T | BTB-4-E | BTB-4-R | BTB-4-U | BTB-4-N |
| 5 | 130 | 122 | BTB-5-J | BTB-5-K | BTB-5-T | BTB-5-E | BTB-5-R | BTB-5-U | BTB-5-N |
| 6 | 152 | 144 | BTB-6-J | BTB-6-K | BTB-6-T | BTB-6-E | BTB-6-R | BTB-6-U | BTB-6-N |
| 8 | 197 | 189 | BTB-8-J | BTB-8-K | BTB-8-T | BTB-8-E | BTB-8-R | BTB-8-U | BTB-8-N |
| 10 | 241 | 233 | BTB-10-J | BTB-10-K | BTB-10-T | BTB-10-E | BTB-10-R | BTB-10-U | BTB-10-N |

Miscellaneous

Lugs



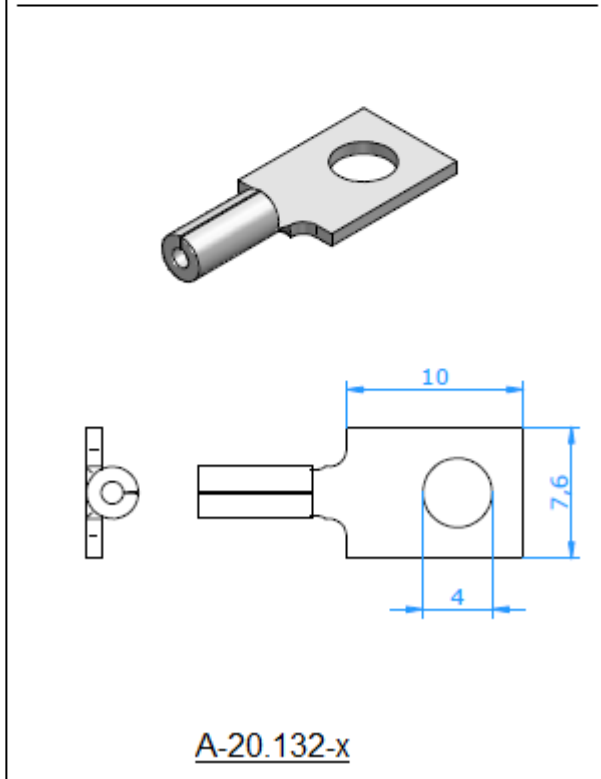
Application:

To be used as wire termination on thermocouples or on wires fitted into terminal blocks.

Construction:

- Solid thermocouple material.
- Wire size up to 1.2mm

| Material | Code | Order no. |
|------------|----------|------------|
| Chromel | KP/EP | A-20.131-1 |
| Iron | JP | A-20.131-2 |
| Copper | TP/RP | A-20.131-3 |
| Nicrosil | NP | A-20.131-4 |
| Alumel | KN | A-20.131-5 |
| Constantan | EN/JN/TN | A-20.131-6 |
| Alloy#11 | RN | A-20.131-7 |
| Nisil | NN | A-20.131-8 |



| Material | Code | Order no. |
|------------|----------|------------|
| Chromel | KP/EP | A-20.132-1 |
| Iron | JP | A-20.132-2 |
| Copper | TP/RP | A-20.132-3 |
| Alumel | KN | A-20.132-5 |
| Constantan | EN/JN/TN | A-20.132-6 |

Minimum order quantity : 50 pcs.