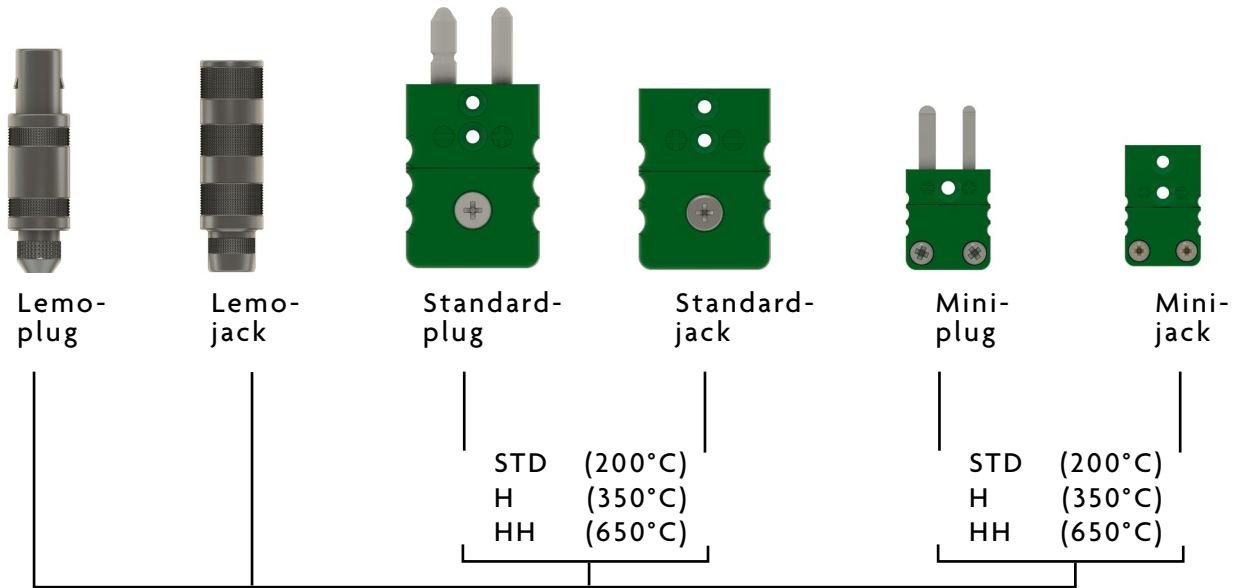




QUESTIONNAIRE MINERAL INSULATED THERMOCOUPLES



	MTE-Type	Sheat Material		Cable: (Isolation)
	J	1.4541		FEP/FEP
K	1.4841	Silicon/FEP		
N	2.4816	Kapton/Kapton		
S	Nimonic	PVC/PVC isolated		With screen
	Platin	Fibre glass/steel wire braid		
	Diameter:			Cross section
				0,22mm ² (Standard)
	Number of Thermocouples			Other:
	1x			Additional parts
	2x			Compression fitting
	Class 1			made of stainless steel
	Class 2			Clamping ring: PTFE VA
	Hot junction insulated from the outer sheath			Thread:
	Hot junction welded to the outer sheath			With plate (RT-Version)
				Dimensions:
				With drill holes
				1 drill hole
				2 drill holes
				Diameter:
	Cable length L2:			
	Nominal length L1:			
	Measuring range min:		max:	
	Working temperature /-area:			