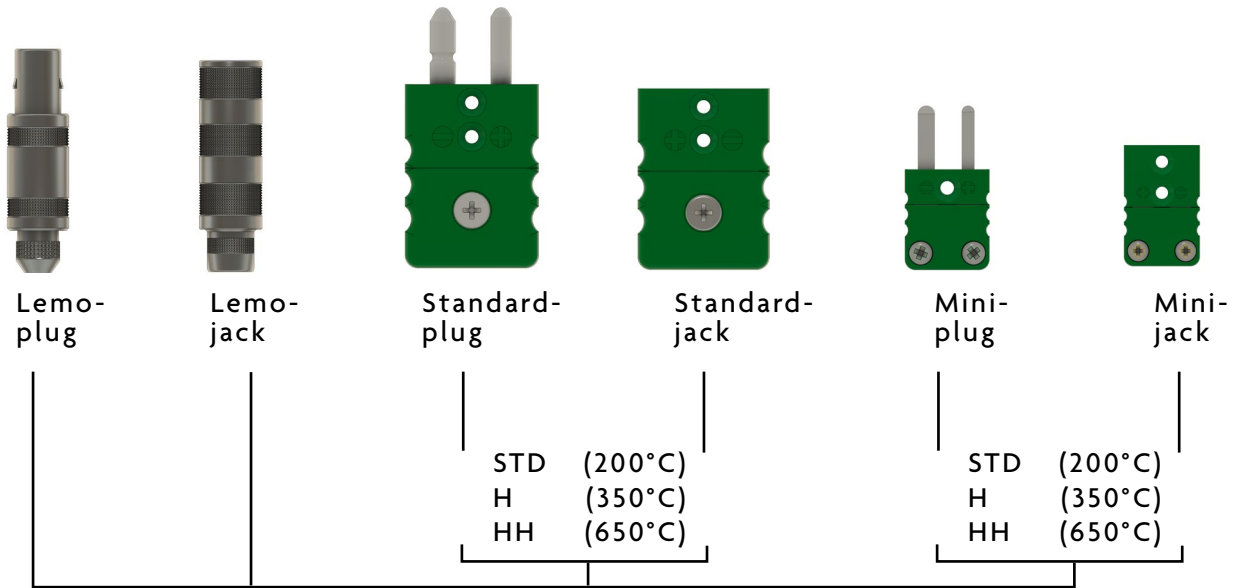




QUESTIONNAIRE MINERAL INSULATED THERMOCOUPLES



	MTE-Type	Sheat Material	Cable: (Isolation)
	J K N S Diameter: Number of Thermocouples 1x 2x Class 1 Class 2 Hot junction insulated from the outer sheath Hot junction welded to the outer sheath Cable length L2: Nominal length L1: Measuring range min: max: Working temperature /-area:	1.4541 1.4841 2.4816 Nimonic Platin	FEP/FEP With screen Silicon/FEP Kapton/Kapton PVC/PVC isolated With screen Fibre glass/steel wire braid Cross section 0,22mm ² (Standard) Other: Additional parts Compression fitting made of stainless steel Clamping ring: PTFE VA Thread: With plate (RT-Version) Dimensions: With drill holes 1 drill hole 2 drill holes Diameter: